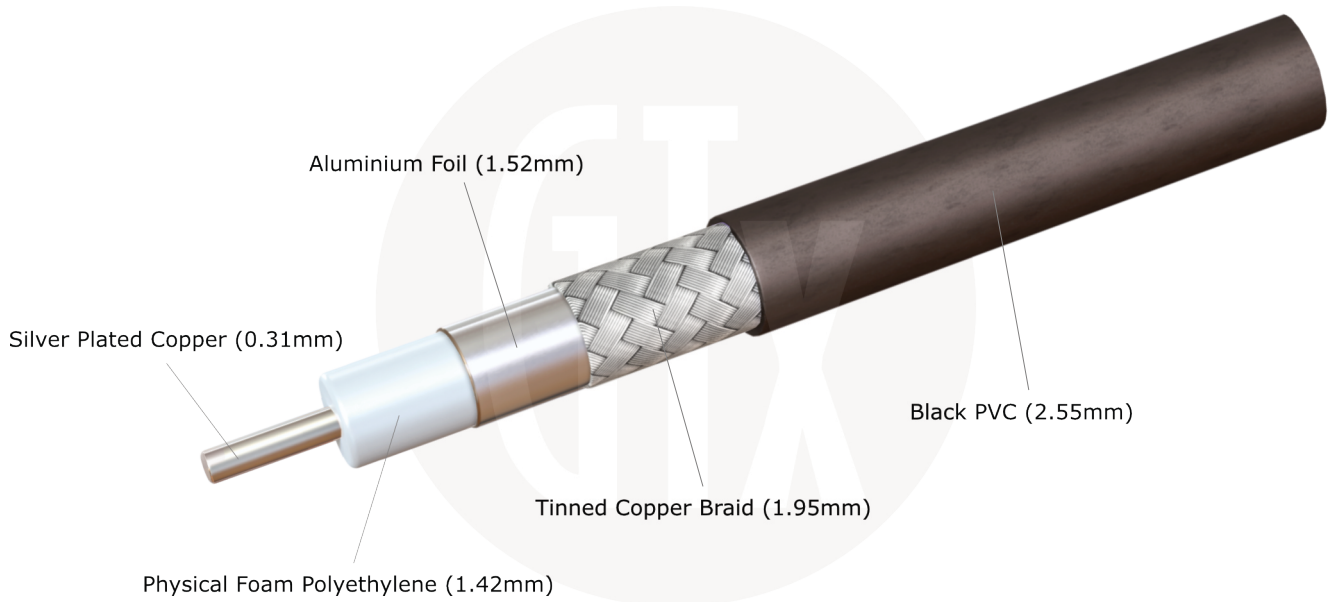


UHD75-179D

RG179DT 4K Ultra High Definition, 0.3/1.4



MATERIAL SPECIFICATION

Inner Conductor	Silver Plated Copper (0.31mm)
Dielectric	Physical Foam Polyethylene (1.42mm)
First Shield	Aluminium Foil (1.52mm)
Second Shield	Tinned Copper Braid (1.95mm)
Jacket	Black PVC (2.55mm)

ELECTRICAL SPECIFICATION

Impedance	75 Ohms
Max. Frequency	DC to 12 GHz
Capacitance	55 pF/m
Velocity of Propagation	80%

UHD75-179D

RG179DT 4K Ultra High Definition, 0.3/1.4

MECHANICAL & ENVIRONMENTAL SPECIFICATION

Bending Radius (static)	8mm
Bending Radius (flexing)	30mm
RoHS Compliant	Yes
Temperature Range	-20 to +75 degrees C
CPR Compliance	Fca

FREQUENCY	ATTENUATION (per 100m)
270.000 MHz	35.50 dB
540.000 MHz	50.50 dB
1000.000 MHz	70.00 dB
3000.000 MHz	126.00 dB
6000.000 MHz	175.00 dB
12000.000 MHz	250.00 dB

RECOMMENDED MAXIMUM TRANSMISSION LENGTH*

- Single Link 3Gb/s (SMPTE ST425) maximum distance 47m
- Single Link 6Gb/s (SMPTE ST2081) maximum distance 31m
- Single Link 12Gb/s (SMPTE 2082, SMPTE 2083) maximum distance 22m

*based on 40dB loss at 1/2 clock frequency