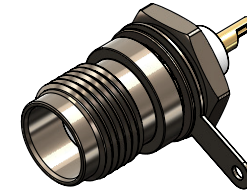


Revisions

Issue	Date	Note
1	23/01/2024	See note GTXPDC/904

DATASHEET



1. Mechanical

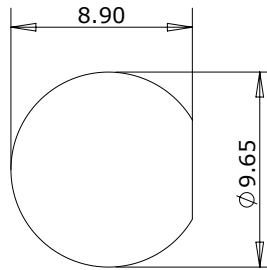
Fixing method	Panel
Durability	500 mating cycles
Maximum Panel Thickness	2.50mm

2. Environmental

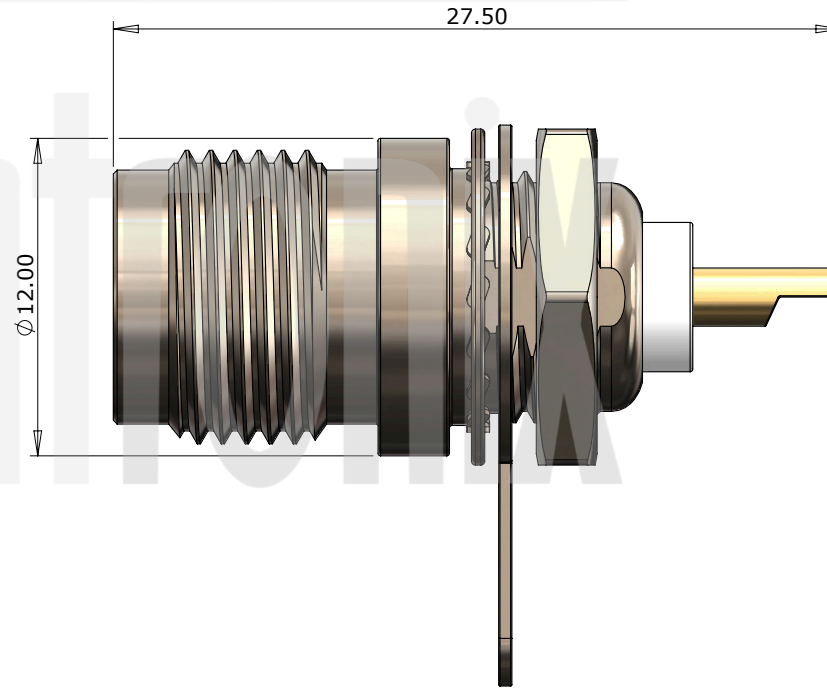
RoHS Compliant	Yes
Temperature Range	-55 to +85 degrees C

3. Electrical

Dielectric Withstanding	1500 Volts RMS Maximum
Impedance	50 ohms
Interface Frequency	11 GHz
Working Voltage	500 Volts RMS Maximum



Panel Cutout



Description	Material	Finish
6 Washer	Steel	Nickel
5 Solder Tag	Steel	Nickel
4 Lock Nut	Brass	Nickel
3 Dielectric	Delrin	White
2 Contact	Brass	Gold
1 Body	Brass	Nickel

Unless otherwise specified tolerances
 0.5-5 = ±0.2
 >5-30 = ±0.4
 >30-120 = ±0.6
 >120-315 = ±1.0
 >315-1000 = ±1.6
 Angles = ±5°
 Units = mm

This document is the confidential property of Gigatronix Limited and may not be copied, reproduced or transmitted to any third party without written authorisation.



Author	PJP
Drawn by	PJP
Drawing date	23/01/2024
Checked by	DB
Checked date	23/01/2024
Scale	Not to scale

Part Number	TN62-X001-N06
Title:	TNC Panel Jack, Solder Receptacle, Nickel Plated