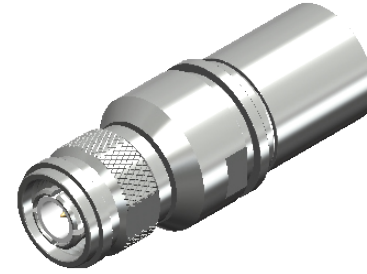


**Revisions**

Issue	Date	Note
1	14/10/2022	See note GTXPDC/588



**1. Mechanical**

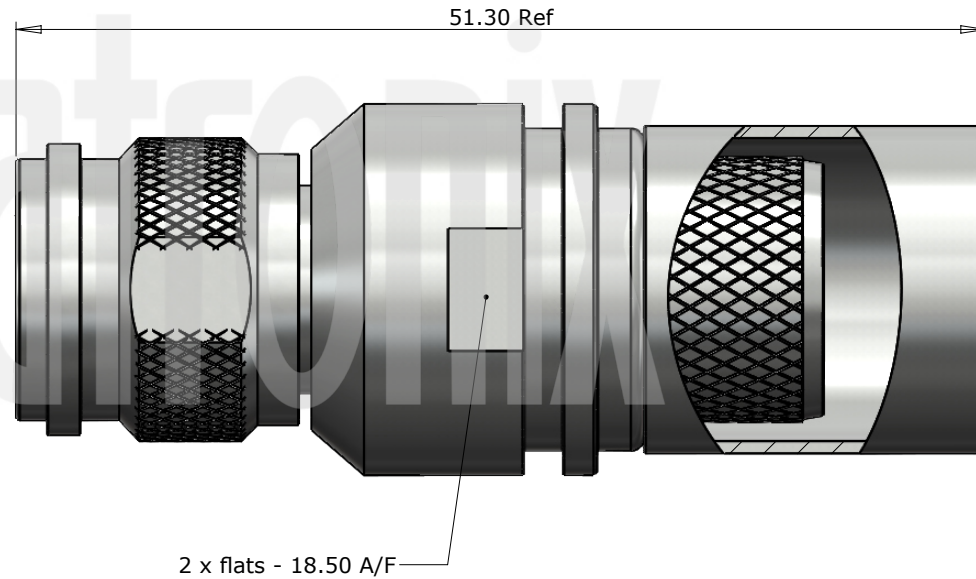
Cable Retention	Equal to breaking strain of cable
Durability	500 mating cycles
Fixing Method	Crimp

**2. Environmental**

RoHS Compliant	Yes
Temperature Range	-65 to +165 degrees C

**3. Electrical**

Dielectric Withstanding	1500 Volts RMS Maximum
Impedance	50 ohms
Interface Frequency	11 GHz
Working Voltage	500 Volts RMS Maximum



5	Coupling Nut	Brass	CTZ Tri-Alloy
4	Ferrule	Brass	CTZ Tri-Alloy
3	Dielectric	PTFE	White
2	Pin	Brass	Gold
1	Body	Brass	CTZ Tri-Alloy
	<b>Description</b>	<b>Material</b>	<b>Finish</b>

Unless otherwise specified tolerances  
 0.5-5 = ±0.2  
 >5-30 = ±0.4  
 >30-120 = ±0.6  
 >120-315 = ±1.0  
 >315-1000 = ±1.6  
 Angles = ±5°  
 Units = mm

This document is the confidential property of Gigatronix Limited and may not be copied, reproduced or transmitted to any third party without written authorisation.



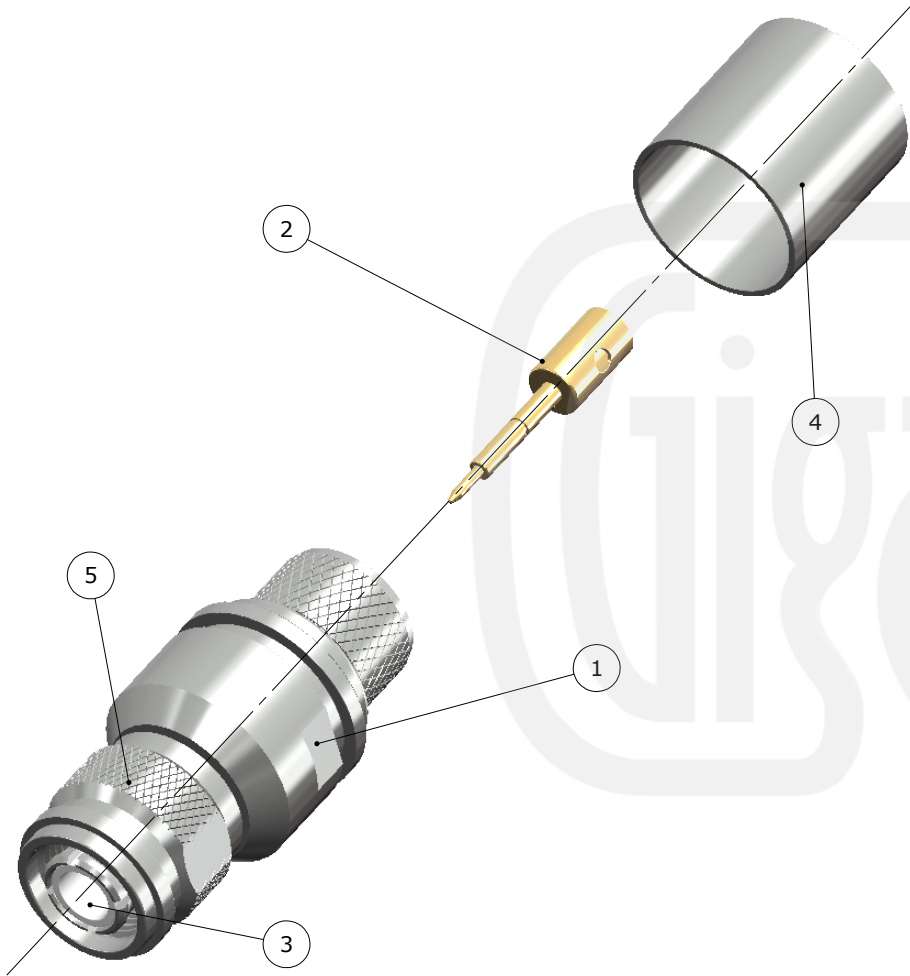
<b>Author</b>	PJP
<b>Drawn by</b>	PJP
<b>Drawing date</b>	14/10/2022
<b>Checked by</b>	DB
<b>Checked date</b>	18/10/2022
<b>Scale</b>	Not to scale

**Part Number** TN15-L600-C49  
**Title:** TNC Crimp Plug, Tri-Alloy Plated, LBC600

**Revisions**

Issue	Date	Note
1	14/10/2022	See note GTXPDC/588

**ASSEMBLY INSTRUCTIONS**



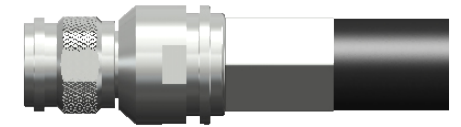
**Assembly Instructions:**

1) Slide the ferrule onto the cable and strip the cable to the dimensions as shown, taking care not to nick the centre conductor or braid



2) Point centre conductor, then solder the pin onto the centre conductor and slide the pin into the body until it captivates, ensuring that the cable braid is on the outside of the connector mandril

3) Slide the ferrule forward and crimp



**Crimp Die Sizes:**  
15.50mm Hex., Solder Centre Core

**Strip Dimensions:**  
A=9.5mm, B=7.7mm, C=6.9mm



Description	Material	Finish
5 Coupling Nut	Brass	CTZ Tri-Alloy
4 Ferrule	Brass	CTZ Tri-Alloy
3 Dielectric	PTFE	White
2 Pin	Brass	Gold
1 Body	Brass	CTZ Tri-Alloy

Unless otherwise specified tolerances  
 0.5-5 = ±0.2  
 >5-30 = ±0.4  
 >30-120 = ±0.6  
 >120-315 = ±1.0  
 >315-1000 = ±1.6  
 Angles = ±5°  
 Units = mm

This document is the confidential property of Gigatronix Limited and may not be copied, reproduced or transmitted to any third party without written authorisation.



**Part Number** TN15-L600-C49  
**Title:** TNC Crimp Plug, Tri-Alloy Plated, LBC600

<b>Author</b>	PJP
<b>Drawn by</b>	PJP
<b>Drawing date</b>	14/10/2022
<b>Checked by</b>	DB
<b>Checked date</b>	18/10/2022
<b>Scale</b>	Not to scale