

Revisions

Issue	Date	Note
3	02/11/2021	See note GTXPDC/340 - checked DB 03/11/2021

DATASHEET



1. Mechanical

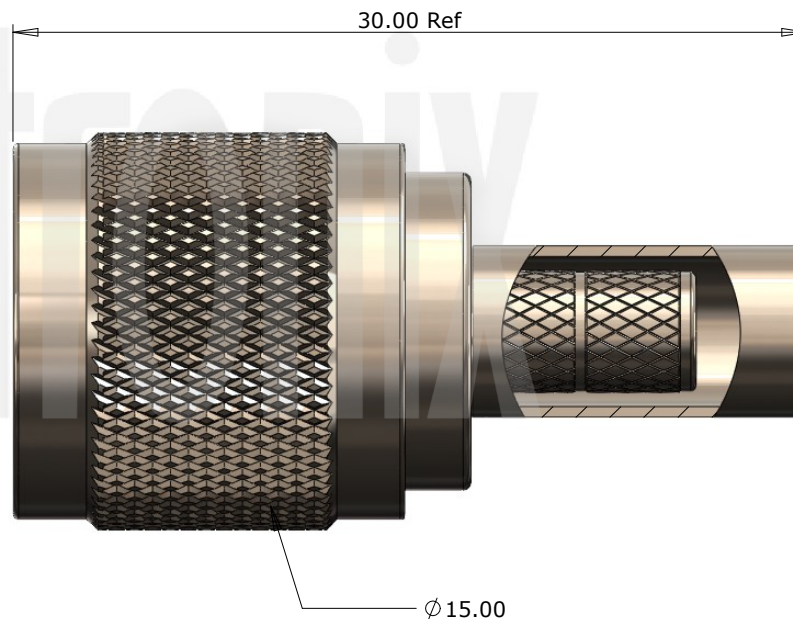
Cable Retention Equal to breaking strain of cable
 Durability 500 mating cycles

2. Environmental

RoHS Compliant Yes
 Temperature Range -55 to +85 degrees C

3. Electrical

Dielectric Withstanding 1500 Volts RMS Maximum
 Impedance 50 ohms
 Interface Frequency 11 GHz
 Working Voltage 500 Volts RMS Maximum



5	Dielectric	PTFE	White
4	Pin	Brass	Gold
3	Ferrule	Brass	Nickel
2	Coupling Nut	Brass	Nickel
1	Body	Brass	Nickel
	Description	Material	Finish

Unless otherwise specified tolerances
 0.5-5 = ±0.2
 >5-30 = ±0.4
 >30-120 = ±0.6
 >120-315 = ±1.0
 >315-1000 = ±1.6
 Angles = ±5°
 Units = mm

This document is the confidential property of Gigatronix Limited and may not be copied, reproduced or transmitted to any third party without written authorisation.



Author	PJP
Drawn by	PJP
Drawing date	26/05/2017
Checked by	TM
Checked date	26/05/2017
Scale	3 : 1

Part Number TN15-0400-C06
Title: TNC Crimp Plug, Nickel Plated, RG142, RG223, RG400

Revisions

Issue	Date	Note
3	02/11/2021	See note GTXPDC/340 - checked DB 03/11/2021

ASSEMBLY INSTRUCTIONS

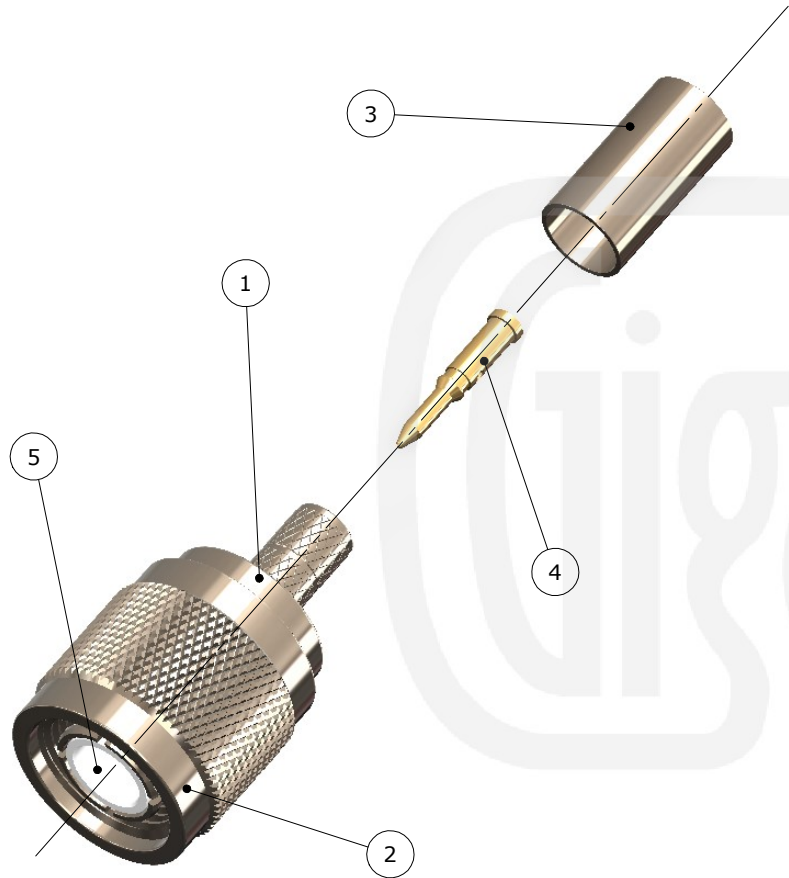
Assembly Instructions:

1) Slide the ferrule onto the cable and strip the cable to the dimensions as shown, taking care not to nick the centre conductor or braid



2) Crimp the pin onto the centre core and slide the pin into the body until it captivates, ensuring that the cable braid is on the outside of the connector mandril

3) Slide the ferrule forward and crimp



Crimp Hex. Sizes:
5.41mm Hex, 1.69mm Hex

Strip Dimensions:
A=9.5mm, B=4.5mm, C=4.0mm



Description	Material	Finish
5 Dielectric	PTFE	White
4 Pin	Brass	Gold
3 Ferrule	Brass	Nickel
2 Coupling Nut	Brass	Nickel
1 Body	Brass	Nickel

Unless otherwise specified tolerances
 0.5-5 = ±0.2
 >5-30 = ±0.4
 >30-120 = ±0.6
 >120-315 = ±1.0
 >315-1000 = ±1.6
 Angles = ±5°
 Units = mm

This document is the confidential property of Gigatronix Limited and may not be copied, reproduced or transmitted to any third party without written authorisation.



Author	PJP
Drawn by	PJP
Drawing date	26/05/2017
Checked by	TM
Checked date	26/05/2017
Scale	Not to scale

Part Number TN15-0400-C06
Title: TNC Crimp Plug, Nickel Plated, RG142, RG223, RG400