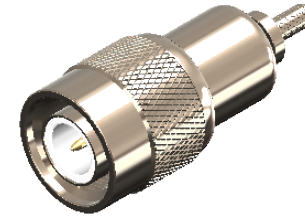


Revisions

Issue	Date	Note
1	16/11/2022	See note GTXPDC/609



1. Mechanical

Cable Retention	Equal to breaking strain of cable
Durability	500 mating cycles
Fixing Method	Crimp

2. Environmental

RoHS Compliant	Yes
Temperature Range	-65 to +165 degrees C

3. Electrical

Dielectric Withstanding	1500 Volts RMS Maximum
Impedance	50 ohms
Interface Frequency	4 GHz
Working Voltage	500 Volts RMS Maximum



8	Tube	Brass	Nickel
7	Insulator	PTFE	White
6	Ferrule	Brass	Nickel
5	Dielectric	PTFE	White
4	Pin	Brass	Gold
3	Integral pin	Phosphor Bronze	Gold
2	Coupling Nut	Brass	Nickel
1	Body	Brass	Nickel
	Description	Material	Finish

Unless otherwise specified tolerances
 0.5-5 = ±0.2
 >5-30 = ±0.4
 >30-120 = ±0.6
 >120-315 = ±1.0
 >315-1000 = ±1.6
 Angles = ±5°
 Units = mm

This document is the confidential property of Gigatronix Limited and may not be copied, reproduced or transmitted to any third party without written authorisation.



Author	PJP
Drawn by	PJP
Drawing date	16/11/2022
Checked by	DB
Checked date	16/11/2022
Scale	Not to scale

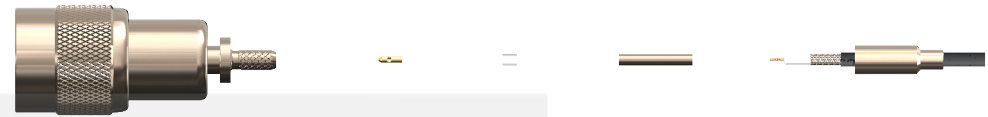
Part Number	TN15-0178-C06WP
Title:	TNC Waterproof Crimp Plug, IP68, Nickel Plated, PTFE Dielectric, RG178

Revisions		
Issue	Date	Note
1	16/11/2022	See note GTXPDC/609

ASSEMBLY INSTRUCTIONS

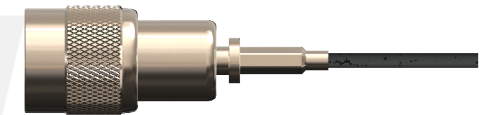
Assembly Instructions:

1) Slide the ferrule onto the cable and strip the cable to the dimensions as shown, taking care not to nick the centre conductor or braid

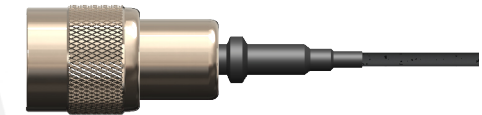


2) Slide the tube over the cable dielectric & under the braid, then slide the insulator over the cable dielectric. Solder the small pin onto the centre core and then push into the body, ensuring that the cable braid is on the outside of the connector mandril and that the centre pin is fully located within the integral pin

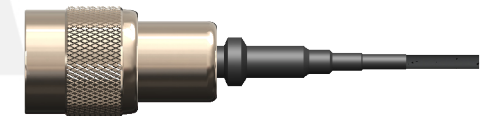
3) Slide the ferrule forward and crimp



4) Apply adhesive lined heatshrink x 20mm up and over the mandril



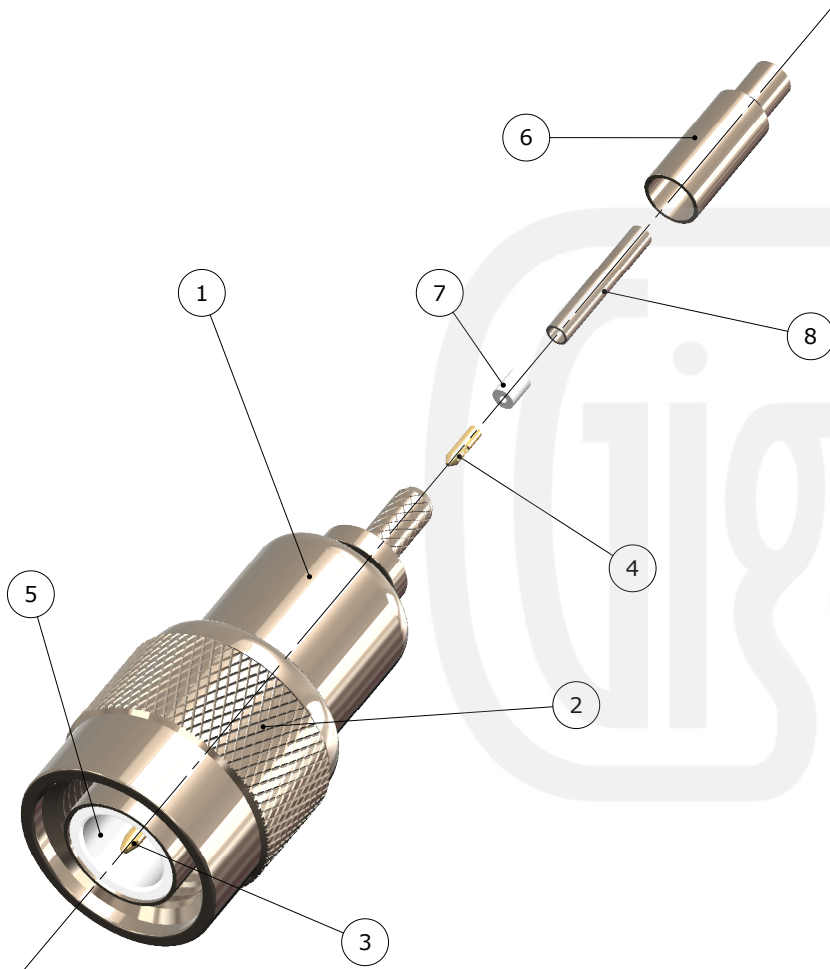
5) Apply adhesive lined heatshrink x 25mm over the top of the first heatshrink



Strip Dimensions:
A=11.0mm, B=1.0mm, C=3.0mm



Crimp Die Sizes:
3.25mm Hex., Solder centre core



8	Tube	Brass	Nickel
7	Insulator	PTFE	White
6	Ferrule	Brass	Nickel
5	Dielectric	PTFE	White
4	Pin	Brass	Gold
3	Integral pin	Phosphor Bronze	Gold
2	Coupling Nut	Brass	Nickel
1	Body	Brass	Nickel
	Description	Material	Finish

Unless otherwise specified tolerances
 0.5-5 = ±0.2
 >5-30 = ±0.4
 >30-120 = ±0.6
 >120-315 = ±1.0
 >315-1000 = ±1.6
 Angles = ±5°
 Units = mm

This document is the confidential property of Gigatronix Limited and may not be copied, reproduced or transmitted to any third party without written authorisation.

Gigatronix

Part Number | TN15-0178-C06WP

Title: TNC Waterproof Crimp Plug, IP68, Nickel Plated, PTFE Dielectric, RG178

Author	PJP
Drawn by	PJP
Drawing date	16/11/2022
Checked by	DB
Checked date	16/11/2022
Scale	Not to scale