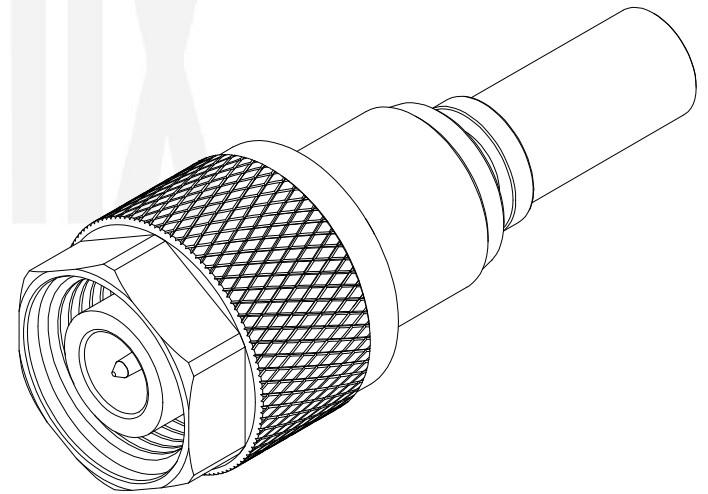
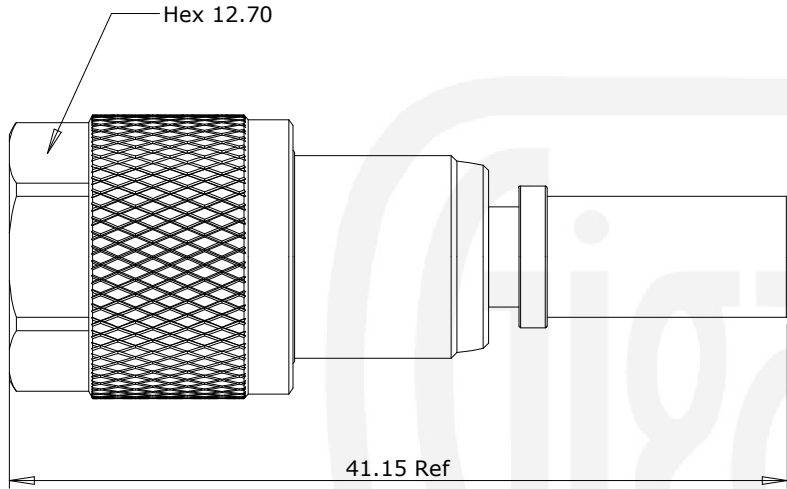


Revisions

Issue	Date	Note
3	02/01/2020	See note GTXPDC/128 - DB

SUMMARY VIEW



7	Dielectric	PTFE	White
6	Insulator	PTFE	White
5	Integral Pin	Beryllium Copper	Gold
4	Coupling Nut	Brass	Nickel
3	Ferrule	Brass	Nickel
2	Pin	Brass	Gold
1	Body	Brass	Nickel
	Description	Material	Finish

Unless otherwise specified tolerances
 0.5-5 = ±0.2
 >5-30 = ±0.4
 >30-120 = ±0.6
 >120-315 = ±1.0
 >315-1000 = ±1.6
 Angles = ±5°
 Units = mm

This document is the confidential property of Gigatronix Limited and may not be copied, reproduced or transmitted to any third party without written authorisation.



Author	PJP
Drawn by	PJP
Drawing date	29/08/2014
Checked by	GP
Checked date	12/05/2015
Scale	2 : 1

Part Number TN15-0058-C06WP
Title: TNC Waterproof Crimp Plug, Hex Nut, IP68, Nickel Plated, RG58, LBC195, URM43