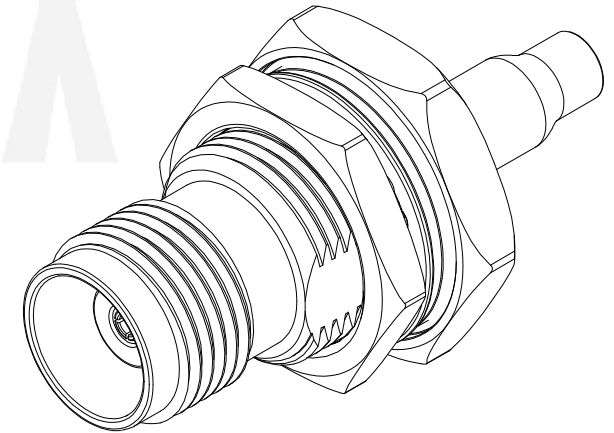
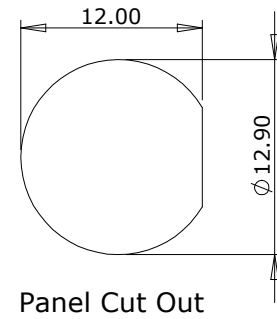
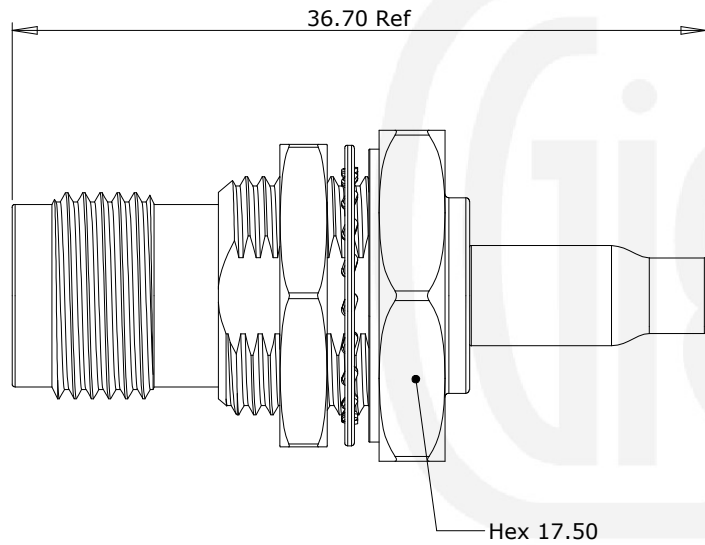


**Revisions**

Issue	Date	Note
1	10/08/2020	See note GTXPDC/188

**SUMMARY VIEW**



Description	Material	Finish
7 Washer	SS41	Nickel
6 Lock Nut	Brass	Nickel
5 O Ring	Rubber	Orange
4 Ferrule	Brass	Nickel
3 Dielectric	PTFE	White
2 Contact	Brass	Gold
1 Body	Brass	Nickel

Unless otherwise specified tolerances  
 0.5-5 = ±0.2  
 >5-30 = ±0.4  
 >30-120 = ±0.6  
 >120-315 = ±1.0  
 >315-1000 = ±1.6  
 Angles = ±5°  
 Units = mm

This document is the confidential property of Gigatronix Limited and may not be copied, reproduced or transmitted to any third party without written authorisation.



<b>Author</b>	PJP
<b>Drawn by</b>	PJP
<b>Drawing date</b>	10/08/2020
<b>Checked by</b>	DB
<b>Checked date</b>	21/08/2020
<b>Scale</b>	2.5 : 1

**Part Number** TN02-0174-C06  
**Title:** TNC Crimp Bulkhead Jack, Nickel Plated, PTFE Dielectric, RG174, LBC100, RG316