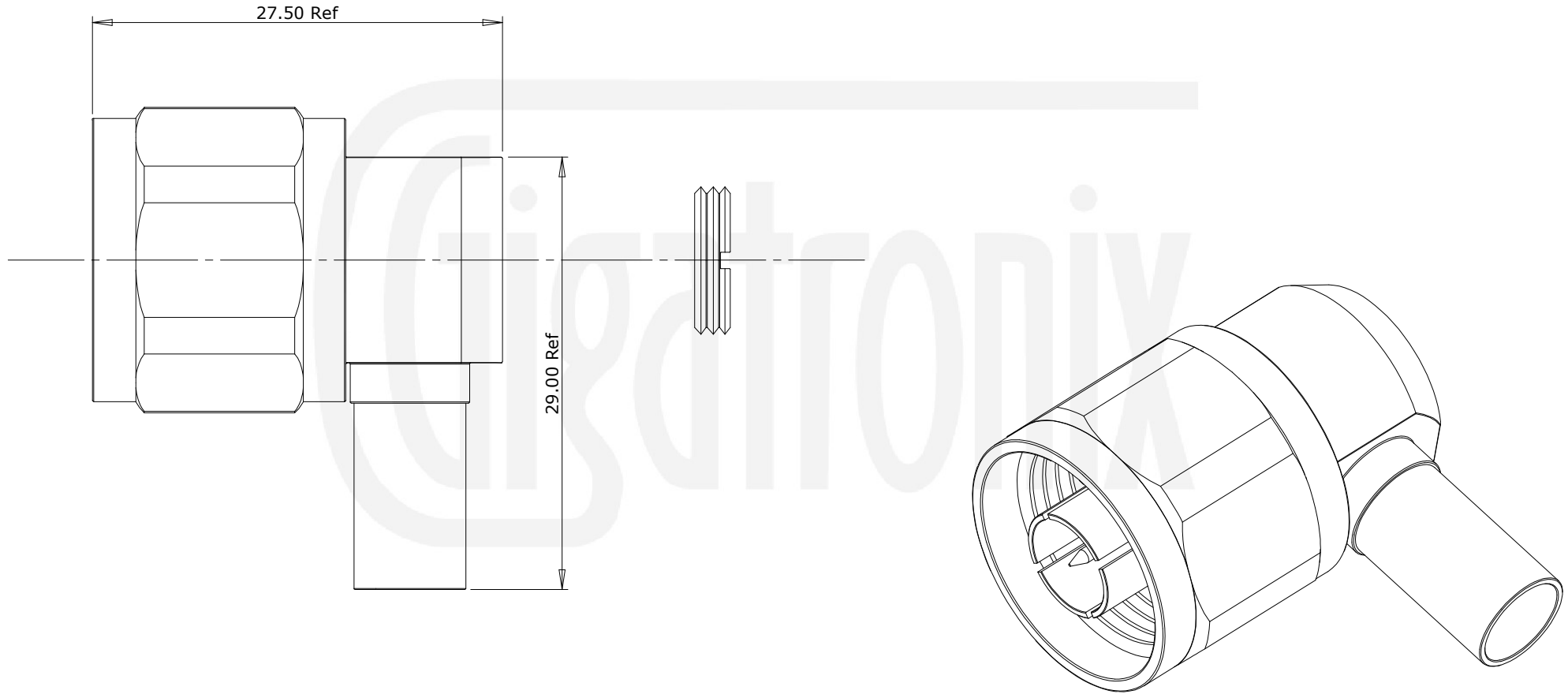


Revisions

Issue	Date	Note
1	13/03/2018	See note 477648502

SUMMARY VIEW



Description	Material	Finish
6 Dielectric	PTFE	White
5 Pin	Brass	Gold
4 End Cap	Brass	Nickel
3 Ferrule	Brass	Nickel
2 Coupling Nut	Brass	Nickel
1 Body	Brass	Nickel

Unless otherwise specified tolerances
 0.5-5 = ±0.2
 >5-30 = ±0.4
 >30-120 = ±0.6
 >120-315 = ±1.0
 >315-1000 = ±1.6
 Angles = ±5°
 Units = mm

This document is the confidential property of Gigatronix Limited and may not be copied, reproduced or transmitted to any third party without written authorisation.



Author	PJP
Drawn by	PJP
Drawing date	13/03/2018
Checked by	DB
Checked date	15/03/2018
Scale	2.5 : 1

Part Number	NT17-L240-C06
Title: N Type Crimp Right Angle Plug, Nickel Plated, Hex Coupling Nut, LBC240	