

Revisions

Issue	Date	Note
1	11/11/2022	See note GTXPDC/604

1. Mechanical

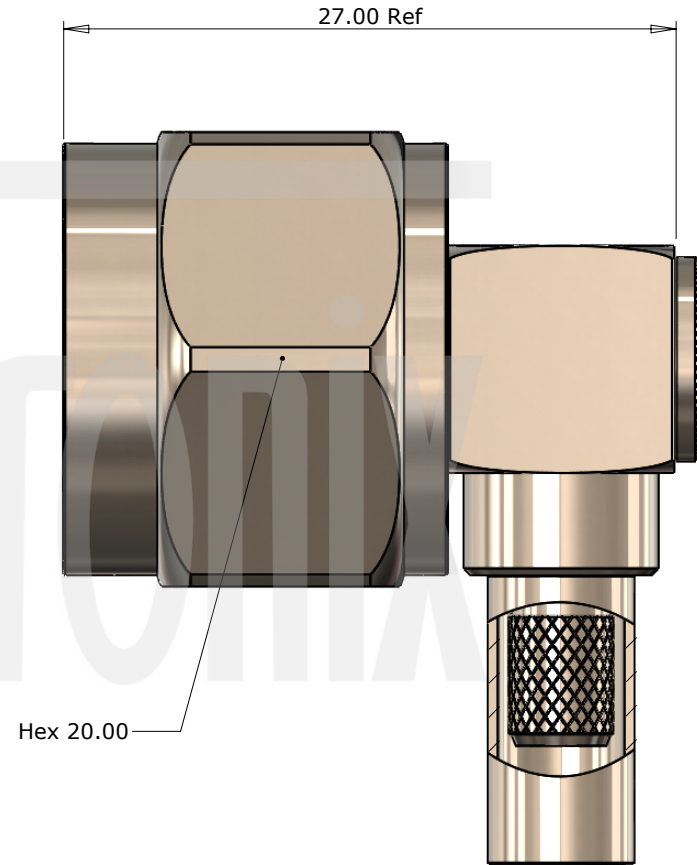
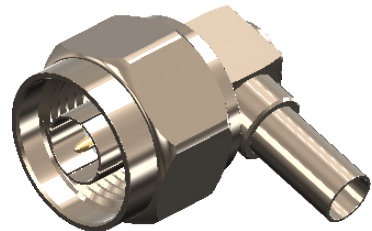
Cable Retention Equal to breaking strain of cable
 Durability 500 mating cycles
 Fixing Method Crimp

2. Environmental

RoHS Compliant Yes
 Temperature Range -65 to +165 degrees C

3. Electrical

Dielectric Withstanding 2500 Volts RMS Maximum
 Impedance 50 ohms
 Interface Frequency 11 GHz
 Working Voltage 1500 Volts RMS Maximum



6	End Cap	Brass	CTZ Tri-Alloy
5	Ferrule	Brass	CTZ Tri-Alloy
4	Dielectric	PTFE	White
3	Pin	Brass	Gold
2	Coupling Nut	Brass	CTZ Tri-Alloy
1	Body	Brass	CTZ Tri-Alloy
	Description	Material	Finish

Unless otherwise specified tolerances
 0.5-5 = ±0.2
 >5-30 = ±0.4
 >30-120 = ±0.6
 >120-315 = ±1.0
 >315-1000 = ±1.6
 Angles = ±5°
 Units = mm

This document is the confidential property of Gigatronix Limited and may not be copied, reproduced or transmitted to any third party without written authorisation.



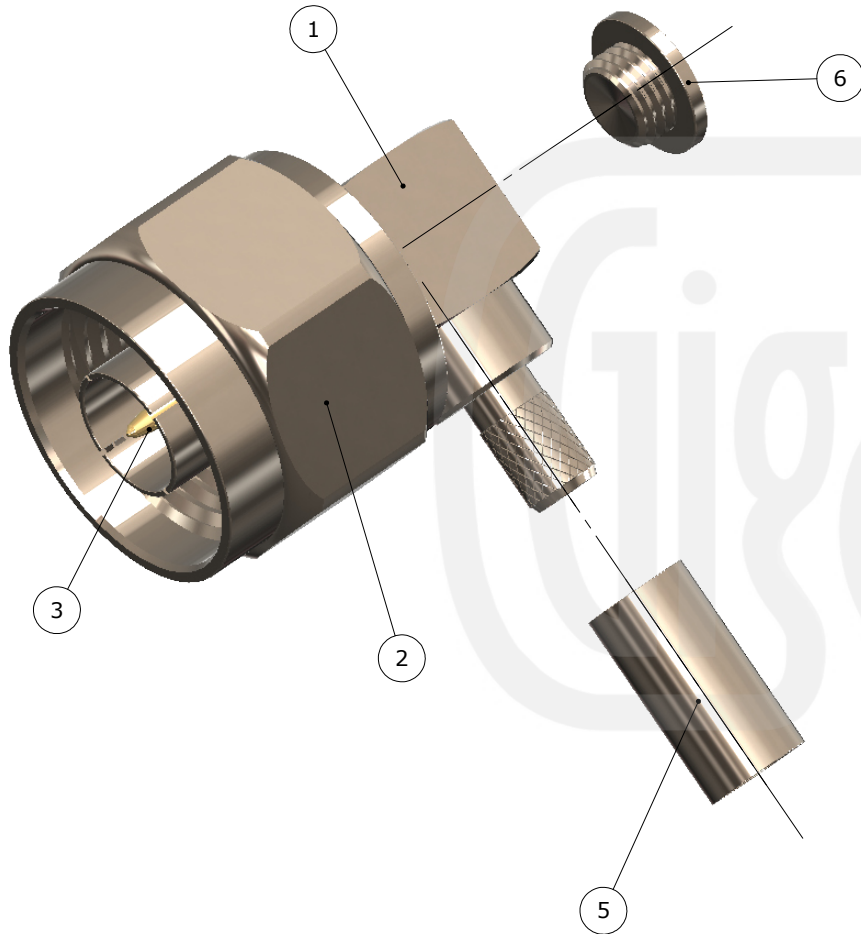
Author	PJP
Drawn by	PJP
Drawing date	11/11/2022
Checked by	DB
Checked date	11/11/2022
Scale	Not to scale

Part Number	NT17-0058-C49-2
Title:	N Type Crimp Right Angle Plug, Tri-Alloy Plated, Hex Coupling Nut, RG58, LBC195, URM43

Revisions

Issue	Date	Note
1	11/11/2022	See note GTXPDC/604

ASSEMBLY INSTRUCTIONS

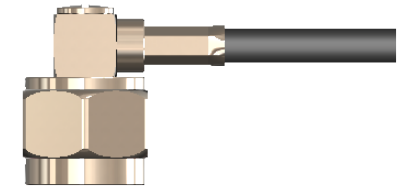
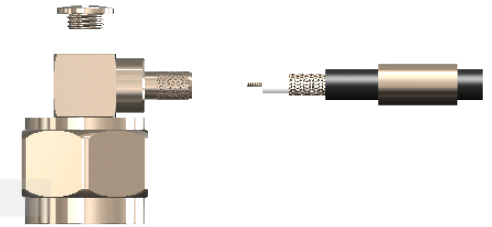


Assembly Instructions:

1) Slide the ferrule onto the cable and strip the cable to the dimensions as shown, taking care not to nick the centre conductor or braid

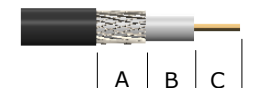
2) Insert the cable into the body, ensuring that the cable braid is on the outside of the connector mandril and that the centre core locates in the internal mounting post

3) Slide the ferrule forward and crimp. Solder the centre core of the cable to the mounting post and fit the end cap



Crimp Die Sizes:
5.41mm Hex., Solder centre core

Strip Dimensions:
A=7.5mm, B=7.0mm, C=4.3mm



Description	Material	Finish
6 End Cap	Brass	CTZ Tri-Alloy
5 Ferrule	Brass	CTZ Tri-Alloy
4 Dielectric	PTFE	White
3 Pin	Brass	Gold
2 Coupling Nut	Brass	CTZ Tri-Alloy
1 Body	Brass	CTZ Tri-Alloy

Unless otherwise specified tolerances
 0.5-5 = ±0.2
 >5-30 = ±0.4
 >30-120 = ±0.6
 >120-315 = ±1.0
 >315-1000 = ±1.6
 Angles = ±5°
 Units = mm

This document is the confidential property of Gigatronix Limited and may not be copied, reproduced or transmitted to any third party without written authorisation.



Part Number NT17-0058-C49-2

Title: N Type Crimp Right Angle Plug, Tri-Alloy Plated, Hex Coupling Nut, RG58, LBC195, URM43

Author	PJP
Drawn by	PJP
Drawing date	11/11/2022
Checked by	DB
Checked date	11/11/2022
Scale	Not to scale