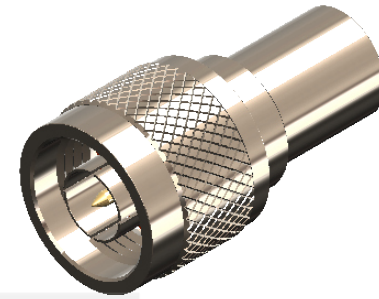


**Revisions**

Issue	Date	Note
2	31/01/2023	See GTXPDC/652 - checked DB 06/02/2023

**DATASHEET**



**1. Mechanical**

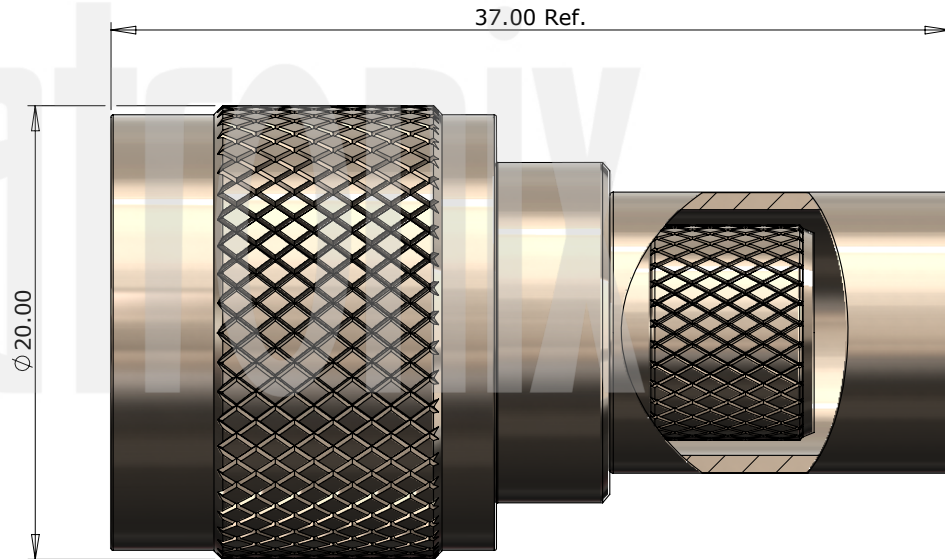
Cable Retention	Equal to breaking strain of cable
Durability	500 mating cycles
Fixing Method	Crimp

**2. Environmental**

RoHS Compliant	Yes
Temperature Range	-65 to +165 degrees C

**3. Electrical**

Dielectric Withstanding	2500 Volts RMS Maximum
Impedance	50 ohms
Interface Frequency	11 GHz
Working Voltage	1500 Volts RMS Maximum



5	Ferrule	Brass	Nickel
4	Dielectric	PTFE	White
3	Coupling Nut	Brass	Nickel
2	Pin	Beryllium Copper	Gold
1	Body	Brass	Nickel
	<b>Description</b>	<b>Material</b>	<b>Finish</b>

Unless otherwise specified tolerances  
 0.5-5 = ±0.2  
 >5-30 = ±0.4  
 >30-120 = ±0.6  
 >120-315 = ±1.0  
 >315-1000 = ±1.6  
 Angles = ±5°  
 Units = mm

This document is the confidential property of Gigatronix Limited and may not be copied, reproduced or transmitted to any third party without written authorisation.



<b>Author</b>	PJP
<b>Drawn by</b>	PJP
<b>Drawing date</b>	06/02/2019
<b>Checked by</b>	DB
<b>Checked date</b>	12/02/2019
<b>Scale</b>	Not to scale

**Part Number** NT15-0519-C06

**Title:** N Type Crimp Plug, Nickel Plated, LBC400, Belden 9913, RA519

**Revisions**

Issue	Date	Note
2	31/01/2023	See GTXPDC/652 - checked DB 06/02/2023

**ASSEMBLY INSTRUCTIONS**

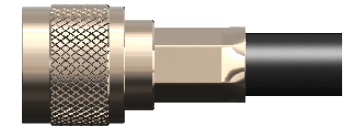
**Assembly Instructions:**

1) Slide the ferrule onto the cable and strip the cable to the dimensions as shown, taking care not to nick the centre conductor or braid.



2) Crimp the pin onto the centre core and slide the pin into the body until fully captivated, ensuring that the cable braid is on the outside of the connector mandril.

3) Slide the ferrule forward and crimp.

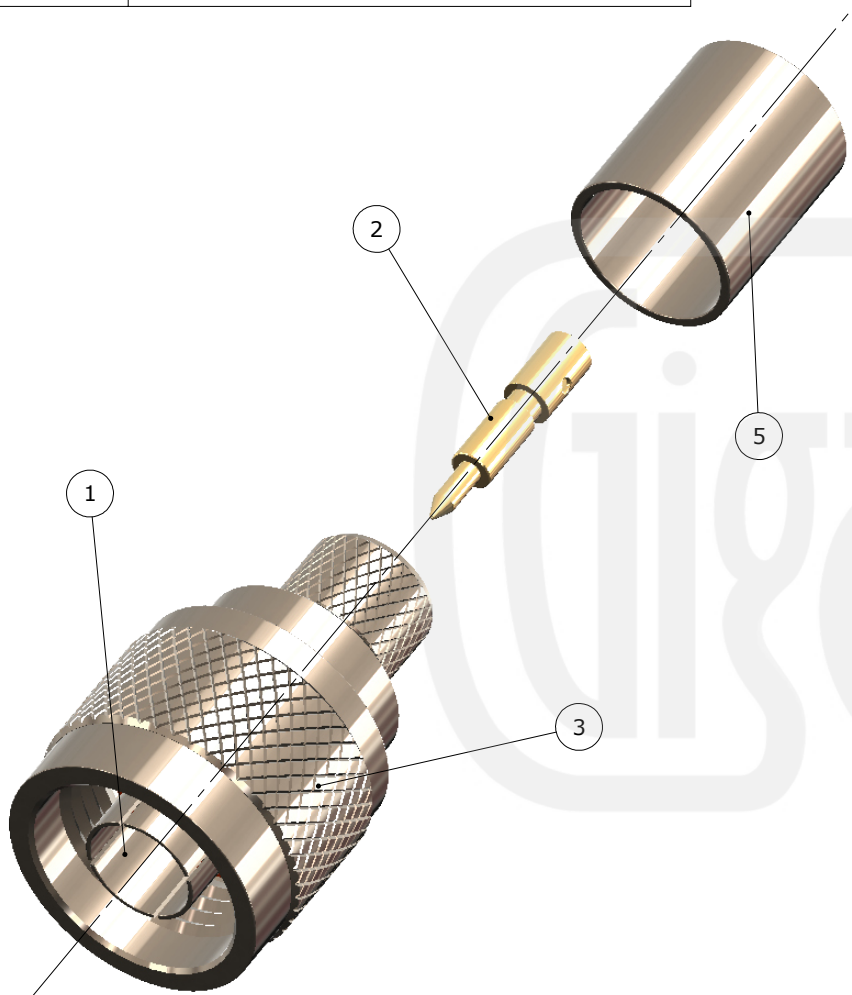


**Crimp Die Sizes:**

10.90mm Hex., 2.95mm Hex.

**Strip Dimensions:**

A=9.0mm, B=4.0mm, C=4.0mm



5	Ferrule	Brass	Nickel
4	Dielectric	PTFE	White
3	Coupling Nut	Brass	Nickel
2	Pin	Beryllium Copper	Gold
1	Body	Brass	Nickel
	<b>Description</b>	<b>Material</b>	<b>Finish</b>

Unless otherwise specified tolerances  
 0.5-5 = ±0.2  
 >5-30 = ±0.4  
 >30-120 = ±0.6  
 >120-315 = ±1.0  
 >315-1000 = ±1.6  
 Angles = ±5°  
 Units = mm

This document is the confidential property of Gigatronix Limited and may not be copied, reproduced or transmitted to any third party without written authorisation.



<b>Author</b>	PJP
<b>Drawn by</b>	PJP
<b>Drawing date</b>	06/02/2019
<b>Checked by</b>	DB
<b>Checked date</b>	12/02/2019
<b>Scale</b>	Not to scale

<b>Part Number</b>	NT15-0519-C06
<b>Title:</b>	N Type Crimp Plug, Nickel Plated, LBC400, Belden 9913, RA519