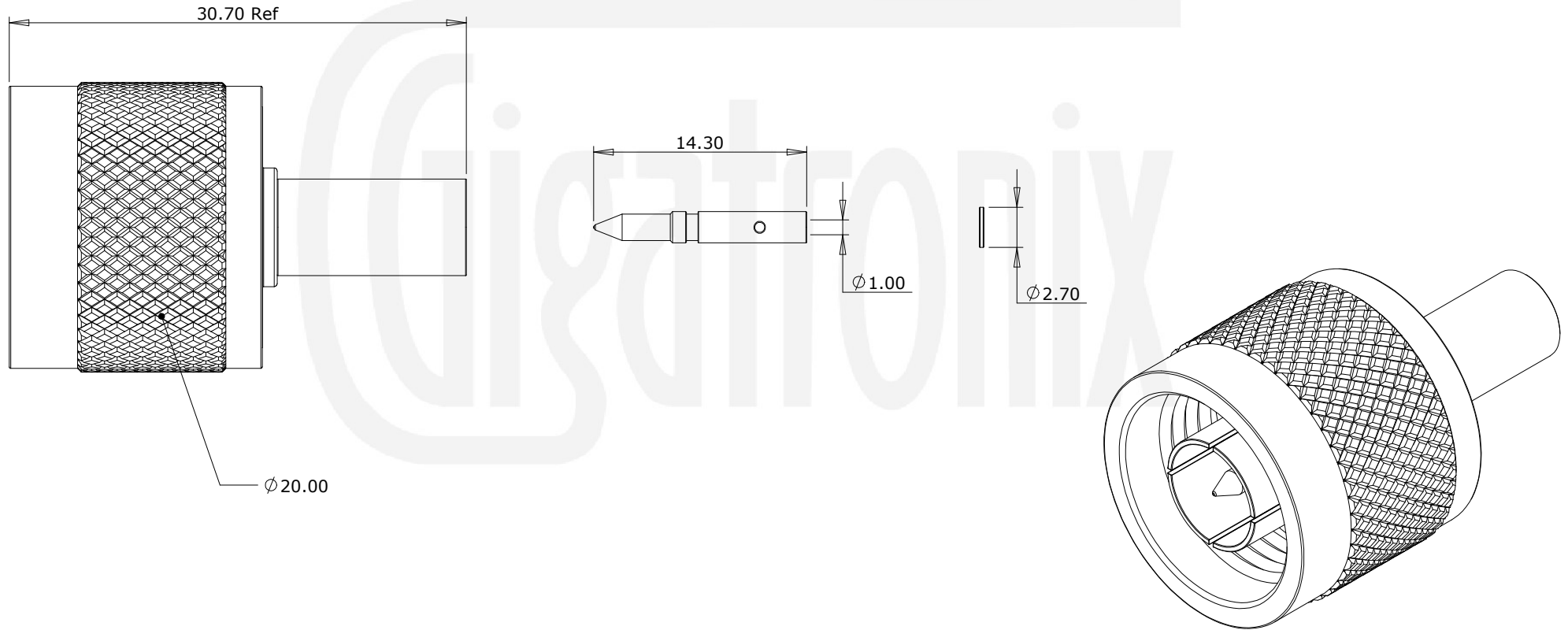


**Revisions**

Issue	Date	Note
1	22/07/2021	See note GTXPDC/245

**SUMMARY VIEW**



6	Insulator	PTFE	White
5	Ferrule	Brass	Nickel
4	Dielectric	PTFE	White
3	Coupling Nut	Brass	Nickel
2	Pin	Brass	Gold
1	Body	Brass	Nickel
	<b>Description</b>	<b>Material</b>	<b>Finish</b>

Unless otherwise specified tolerances  
 0.5-5 =  $\pm 0.2$   
 >5-30 =  $\pm 0.4$   
 >30-120 =  $\pm 0.6$   
 >120-315 =  $\pm 1.0$   
 >315-1000 =  $\pm 1.6$   
 Angles =  $\pm 5^\circ$   
 Units = mm

This document is the confidential property of Gigatronix Limited and may not be copied, reproduced or transmitted to any third party without written authorisation.



<b>Author</b>	PJP
<b>Drawn by</b>	PJP
<b>Drawing date</b>	22/07/2021
<b>Checked by</b>	SM
<b>Checked date</b>	22/07/2021
<b>Scale</b>	2.5 : 1

<b>Part Number</b>	NT15-0195-C06
<b>Title:</b>	N Type Crimp Plug, Nickel Plated, RG58, LBC195, URM43