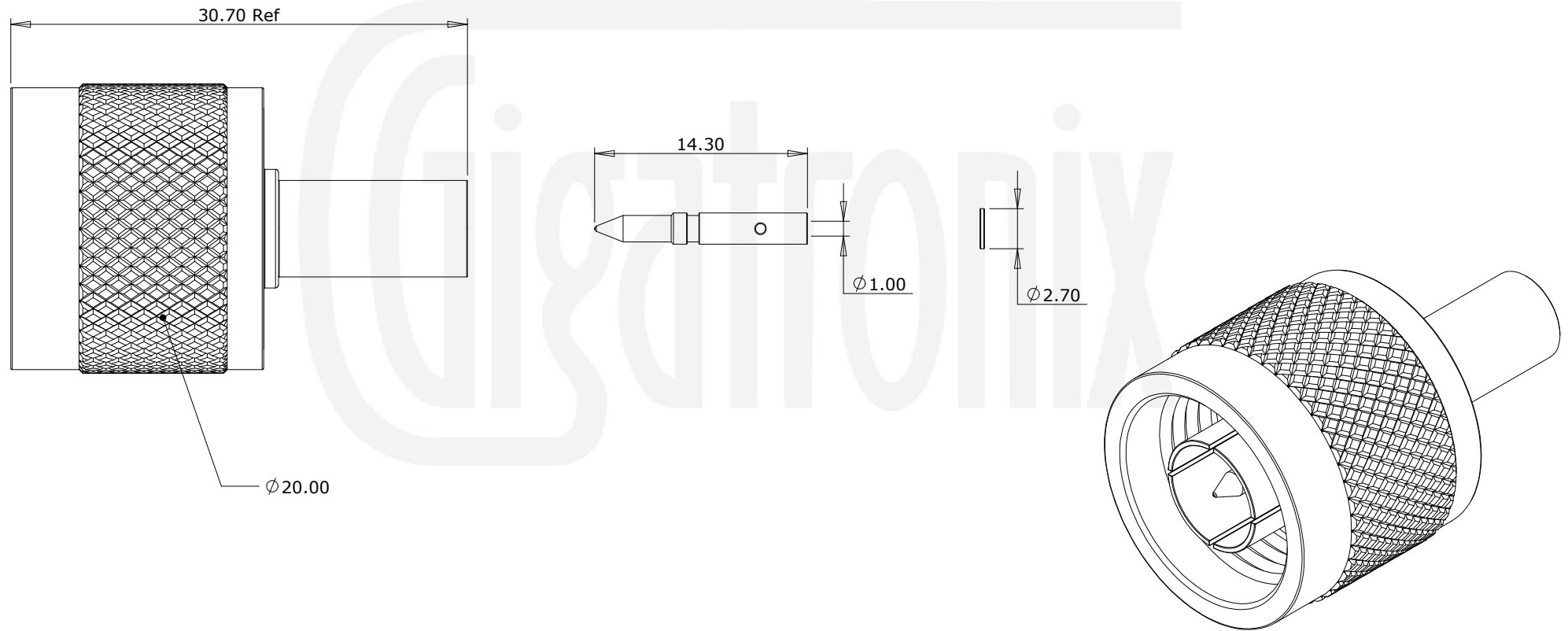


Revisions

Issue	Date	Note
2	05/01/2021	See note GTXPDC/244

SUMMARY VIEW



6	Insulator	PTFE	White
5	Ferrule	Brass	Nickel
4	Dielectric	PTFE	White
3	Coupling Nut	Brass	Nickel
2	Pin	Brass	Gold
1	Body	Brass	Nickel
	Description	Material	Finish

Unless otherwise specified tolerances
 0.5-5 = ± 0.2
 >5-30 = ± 0.4
 >30-120 = ± 0.6
 >120-315 = ± 1.0
 >315-1000 = ± 1.6
 Angles = $\pm 5^\circ$
 Units = mm

This document is the confidential property of Gigatronix Limited and may not be copied, reproduced or transmitted to any third party without written authorisation.



Author	PJP
Drawn by	PJP
Drawing date	05/01/2021
Checked by	DB
Checked date	05/01/2021
Scale	2.5 : 1

Part Number	NT15-0058-C06
Title:	N Type Crimp Plug, Nickel Plated, RG58, LBC195, URM43