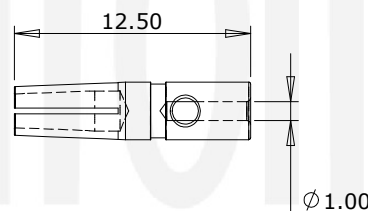
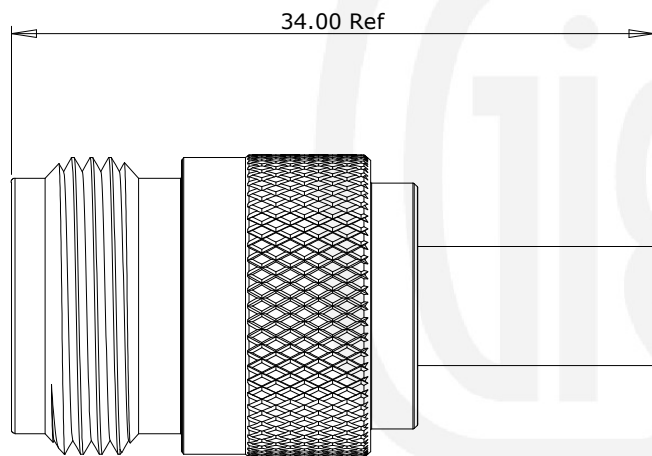
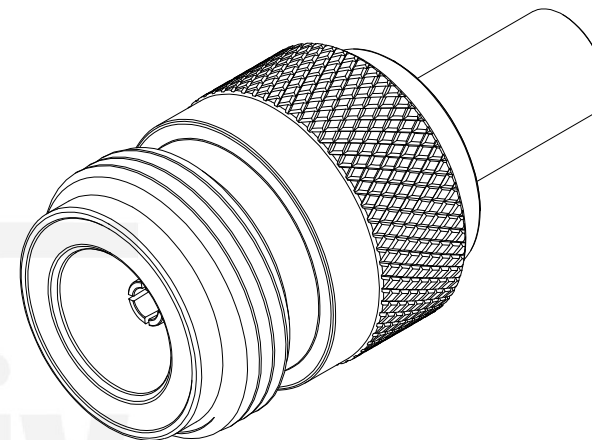


**Revisions**

Issue	Date	Note
2	12/03/2018	See note 477395694

**SUMMARY VIEW**



4	Dielectric	PTFE	White
3	Ferrule	Brass	Nickel
2	Contact	Phosphor Bronze	Gold
1	Body	Brass	Nickel
	<b>Description</b>	<b>Material</b>	<b>Finish</b>

Unless otherwise specified tolerances  
 0.5-5 = ±0.2  
 >5-30 = ±0.4  
 >30-120 = ±0.6  
 >120-315 = ±1.0  
 >315-1000 = ±1.6  
 Angles = ±5°  
 Units = mm

This document is the confidential property of Gigatronix Limited and may not be copied, reproduced or transmitted to any third party without written authorisation.



<b>Author</b>	PJP
<b>Drawn by</b>	PJP
<b>Drawing date</b>	13/04/2017
<b>Checked by</b>	DB
<b>Checked date</b>	18/04/2017
<b>Scale</b>	2.5 : 1

**Part Number** NT10-0058-C06

**Title:** N Type Crimp Jack, Nickel Plated, RG58, LBC195, URM43