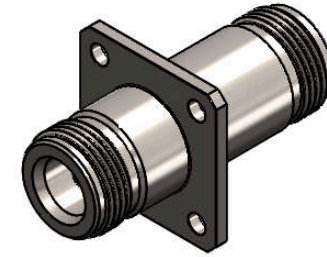


Revisions

Issue	Date	Note
2	04/11/2024	See GTXPDC/1018

DATASHEET



1. Mechanical

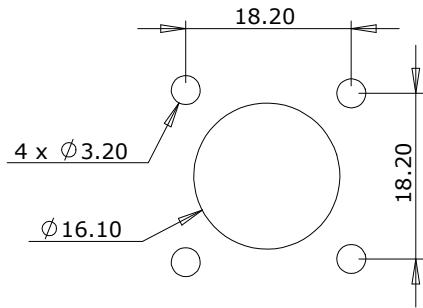
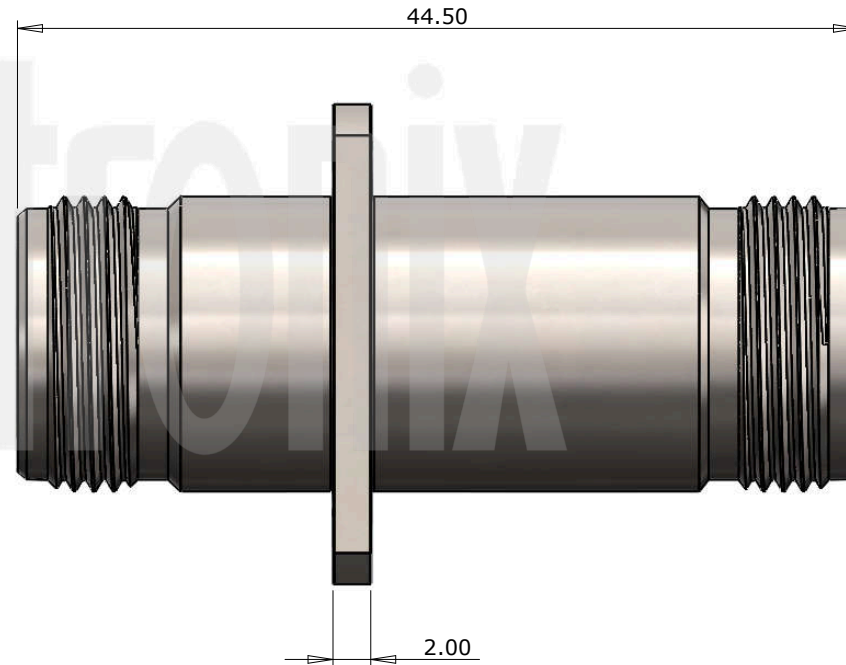
Durability 500 mating cycles

2. Environmental

RoHS Compliant Yes
 Temperature Range -65 to +165 degrees C

3. Electrical

Dielectric Withstanding 2500 Volts RMS Maximum
 Impedance 50 ohms
 Interface Frequency 11 GHz
 VSWR < 1.2 to 11GHz
 Working Voltage 1500 Volts RMS Maximum



Panel Cut Out

Description	Material	Finish
3 Dielectric	PTFE	White
2 Contact	Brass	Gold
1 Body	Stainless Steel	Passivated

Unless otherwise specified tolerances
 0.5-5 = ±0.2
 >5-30 = ±0.4
 >30-120 = ±0.6
 >120-315 = ±1.0
 >315-1000 = ±1.6
 Angles = ±5°
 Units = mm

This document is the confidential property of Gigatronix Limited and may not be copied, reproduced or transmitted to any third party without written authorisation.



Author	PJP
Drawn by	PJP
Drawing date	11/10/2024
Checked by	DB
Checked date	14/10/2024
Scale	Not to scale

Part Number	NT06-10-A04
Title: N Type Flange Mount Jack to Jack Adaptor, Passivated Stainless Steel	