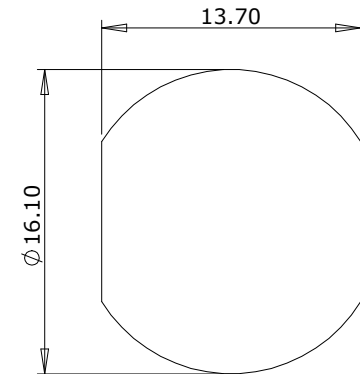
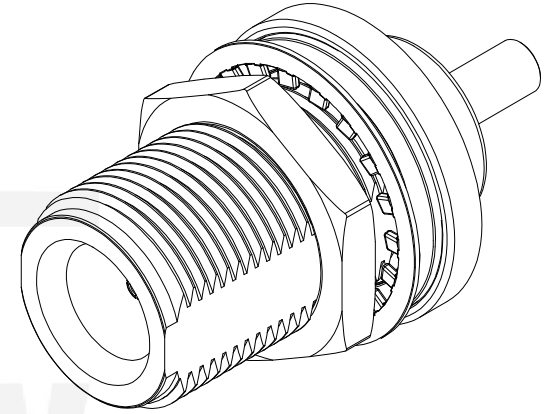
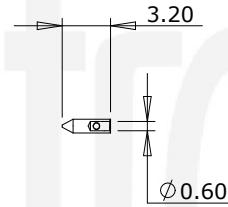
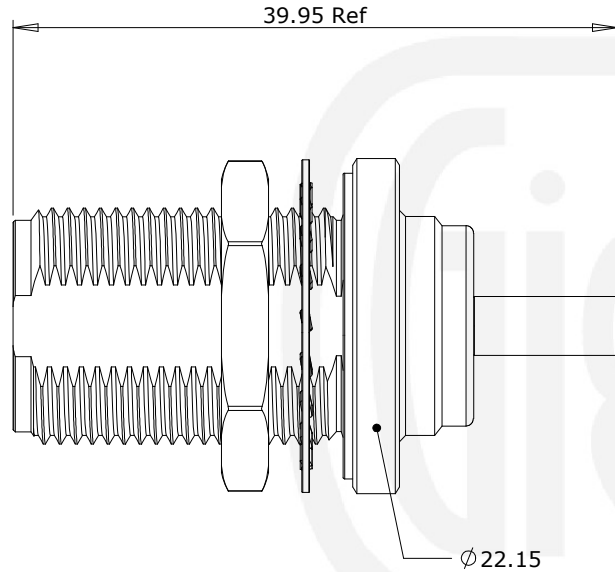


Revisions

Issue	Date	Note
2	07/10/2020	See note GTXPDC/219 - PP

SUMMARY VIEW



Panel Cutout

9	Washer	Brass	Nickel
8	Lock Nut	Brass	Nickel
7	Insulator	PTFE	White
6	Pin	Brass	Gold
5	O-Ring	Rubber	Red
4	Ferrule	Brass	Nickel
3	Dielectric	PTFE	White
2	Contact	Brass	Gold
1	Body	Brass	Nickel
	Description	Material	Finish

Unless otherwise specified tolerances
 0.5-5 = ±0.2
 >5-30 = ±0.4
 >30-120 = ±0.6
 >120-315 = ±1.0
 >315-1000 = ±1.6
 Angles = ±5°
 Units = mm

This document is the confidential property of Gigatronix Limited and may not be copied, reproduced or transmitted to any third party without written authorisation.



Author	PJP
Drawn by	PJP
Drawing date	10/09/2020
Checked by	DB
Checked date	10/09/2020
Scale	2 : 1

Part Number NT02-3162-C06WP

Title: N Type Waterproof Crimp Bulkhead Jack, IP68, Nickel Plated, RD316