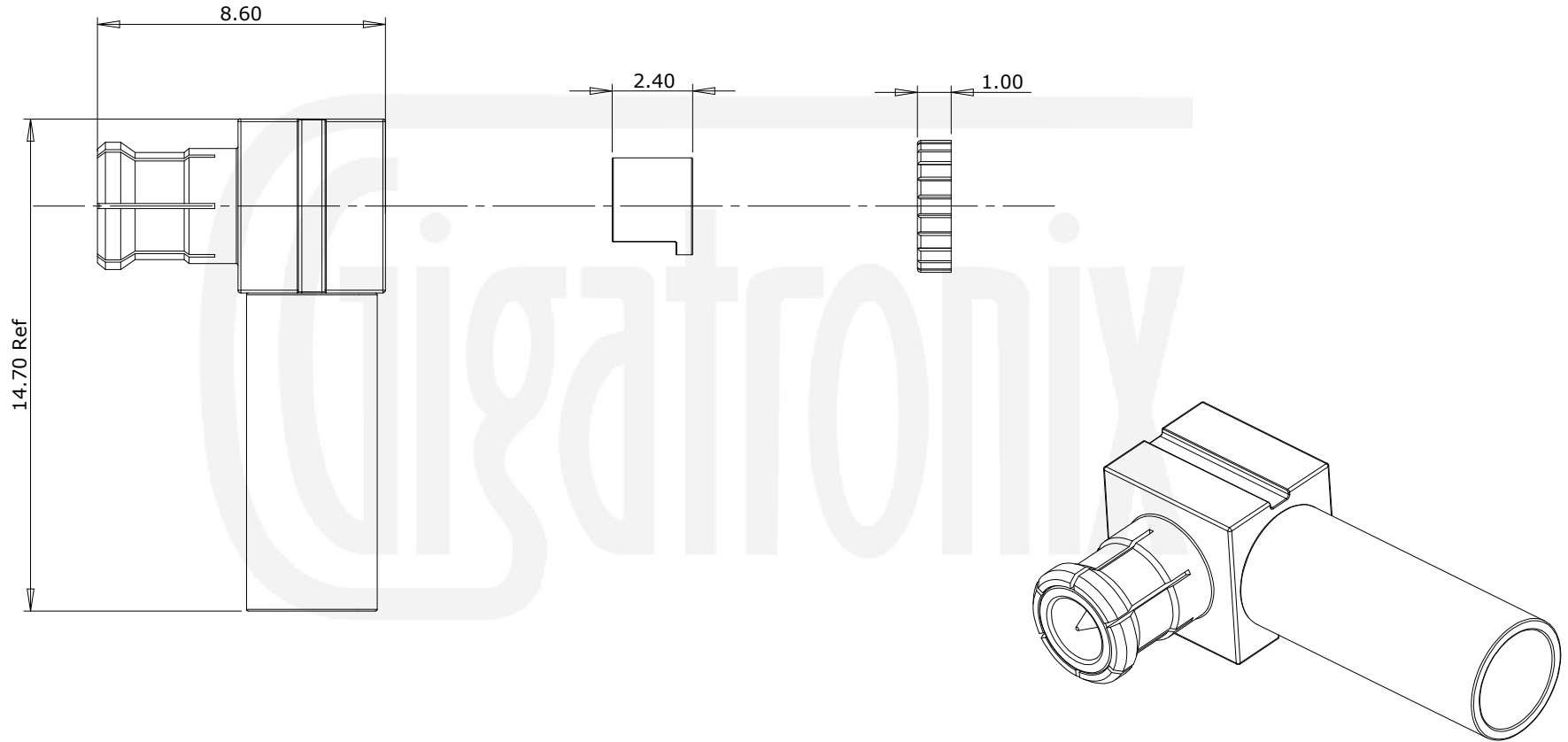


Revisions

Issue	Date	Note
3	03/05/2018	See note 455648317

SUMMARY VIEW



6	End cap	Brass	Gold
5	Insulator	ABS	White
4	Dielectric	PTFE	White
3	Ferrule	Brass	Gold
2	Pin	Phosphor Bronze	Gold
1	Body	Brass	Gold
	Description	Material	Finish

Unless otherwise specified tolerances
 0.5-5 = ±0.2
 >5-30 = ±0.4
 >30-120 = ±0.6
 >120-315 = ±1.0
 >315-1000 = ±1.6
 Angles = ±5°
 Units = mm

This document is the confidential property of Gigatronix Limited and may not be copied, reproduced or transmitted to any third party without written authorisation.



Part Number | MX17-0174-C01

Title: MCX Crimp Right Angle Plug, Gold Plated, 50 ohms, RG174, LBC100, RG316

Author	PJP
Drawn by	PJP
Drawing date	03/05/2018
Checked by	DB
Checked date	08/05/2018
Scale	5 : 1