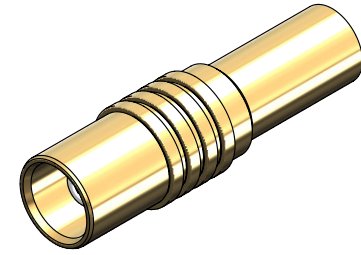


Revisions

Issue	Date	Note
1	08/3/2024	See note GTXPDC/914

DATASHEET



1. Mechanical

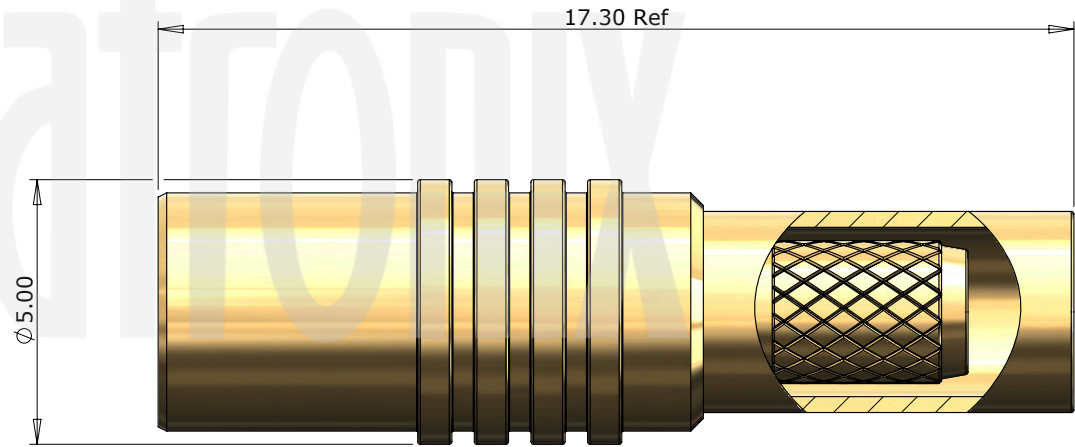
Fixing Method	Crimp
Cable Retention	Equal to breaking strain of cable
Durability	500 mating cycles
Contact Termination	Crimp

2. Environmental

RoHS Compliant	Yes
Temperature Range	-65 to +165 degrees C

3. Electrical

Dielectric Withstanding	500 Volts RMS Maximum
Impedance	50 ohms
Interface Frequency	6 GHz
Working Voltage	250 Volts RMS Maximum



Description	Material	Finish
4 Ferrule	Brass	Gold
3 Dielectric	PTFE	White
2 Contact	Beryllium Copper	Gold
1 Body	Brass	Gold

Unless otherwise specified tolerances
 0.5-5 = ±0.2
 >5-30 = ±0.4
 >30-120 = ±0.6
 >120-315 = ±1.0
 >315-1000 = ±1.6
 Angles = ±5°
 Units = mm

This document is the confidential property of Gigatronix Limited and may not be copied, reproduced or transmitted to any third party without written authorisation.



Author	PJP
Drawn by	PJP
Drawing date	08/03/2024
Checked by	DB
Checked date	11/03/2024
Scale	Not to scale

Part Number	MX10-0174-C01
Title:	MCX Crimp Jack, Gold Plated, 50 ohms, RG174, LBC100, RG316

Revisions

Issue	Date	Note
1	08/3/2024	See note GTXPDC/914

ASSEMBLY INSTRUCTIONS

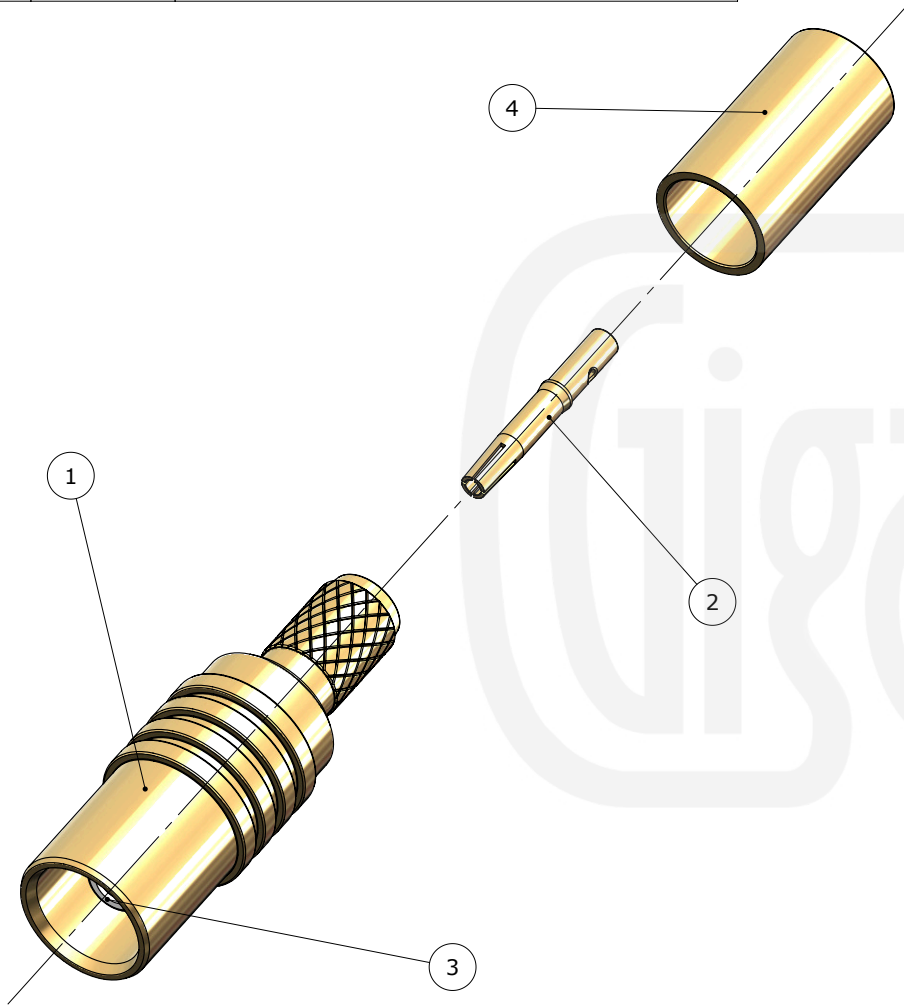
Assembly Instructions

1) Slide the ferrule onto the cable and strip the cable to the dimensions as shown, taking care not to nick the centre conductor or braid.



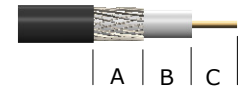
2) Crimp the contact onto the centre core and slide the contact into the body, ensuring that the cable braid is on the outside of the connector mandril and that the contact is captivated.

3) Slide the ferrule forward and crimp.



Crimp Die Sizes:
3.25mm Hex., 0.72mm sq.

Strip Dimensions:
A=5.0mm, B=2.5mm, C=2.5mm



Description	Material	Finish
4 Ferrule	Brass	Gold
3 Dielectric	PTFE	White
2 Contact	Beryllium Copper	Gold
1 Body	Brass	Gold

Unless otherwise specified tolerances
 0.5-5 = ±0.2
 >5-30 = ±0.4
 >30-120 = ±0.6
 >120-315 = ±1.0
 >315-1000 = ±1.6
 Angles = ±5°
 Units = mm

This document is the confidential property of Gigatronix Limited and may not be copied, reproduced or transmitted to any third party without written authorisation.



Author	PJP
Drawn by	PJP
Drawing date	08/03/2024
Checked by	DB
Checked date	11/03/2024
Scale	Not to scale

Part Number MX10-0174-C01

Title: MCX Crimp Jack, Gold Plated, 50 ohms, RG174, LBC100, RG316