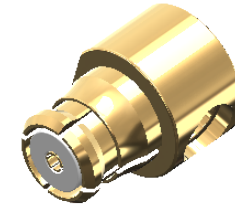


Revisions

| Issue | Date | Note |
|-------|------------|---------------------------------------|
| 3 | 24/06/2022 | See GTXPDC528 - checked DB 30/06/2022 |

DATASHEET



1. Mechanical

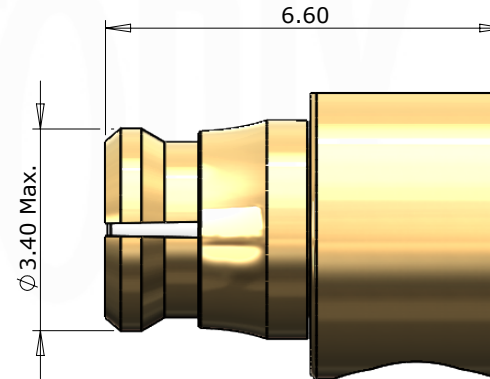
| | |
|-----------------|---|
| Fixing Method | Solder |
| Cable Retention | Equal to breaking strain of cable |
| Durability | Full Detent: 100 Cycles Limited Detent: 500 Cycles Smooth Bore: 1000 Cycles |

2. Environmental

| | |
|-------------------|-----------------------|
| RoHS Compliant | Yes |
| Temperature Range | -65 to +165 degrees C |

3. Electrical

| | |
|-------------------------|-----------------------|
| Dielectric Withstanding | 500 Volts RMS Maximum |
| Impedance | 50 ohms |
| Interface Frequency | 40 GHz |
| Working Voltage | 335 Volts RMS Maximum |



| Description | Material | Finish |
|--------------|------------------|--------|
| 5 Dielectric | PTFE | White |
| 4 Ring | Beryllium Copper | Gold |
| 3 End Cap | Brass | Gold |
| 2 Contact | Beryllium Copper | Gold |
| 1 Body | Beryllium Copper | Gold |

Unless otherwise specified tolerances
 0.5-5 = ±0.2
 >5-30 = ±0.4
 >30-120 = ±0.6
 >120-315 = ±1.0
 >315-1000 = ±1.6
 Angles = ±5°
 Units = mm

This document is the confidential property of Gigatronix Limited and may not be copied, reproduced or transmitted to any third party without written authorisation.



| | |
|---------------------|--------------|
| Author | PJP |
| Drawn by | PJP |
| Drawing date | 10/06/14 |
| Checked by | GP |
| Checked date | 07/05/15 |
| Scale | Not to scale |

| | |
|---|---------------|
| Part Number | MP17-0405-R01 |
| Title: SMP Direct Solder Right Angle Jack, RG405 Conformable | |

Revisions

| Issue | Date | Note |
|-------|------------|--|
| 3 | 24/06/2022 | See GTXPDC/528 - checked DB 30/06/2022 |

ASSEMBLY INSTRUCTIONS

Assembly Instructions

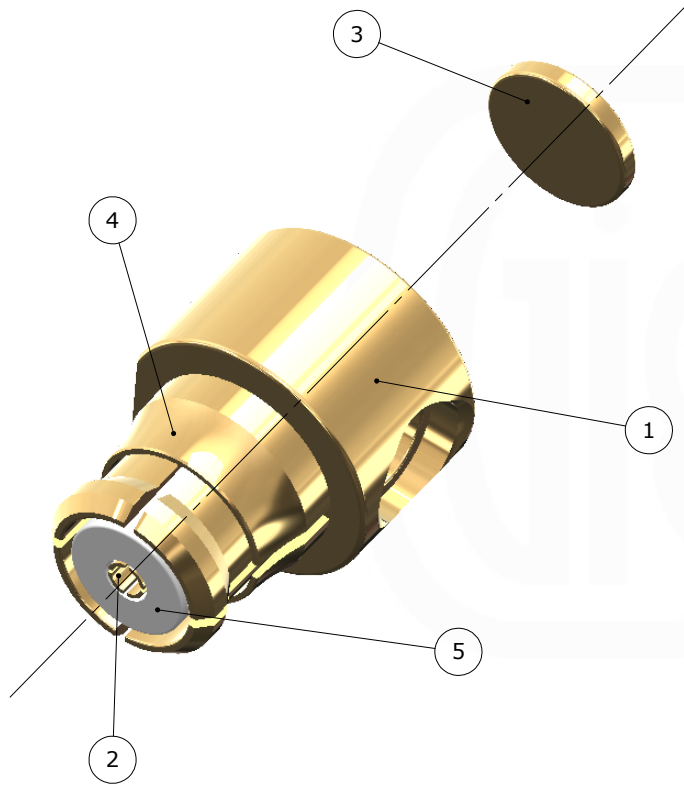
1) Strip the cable to the dimensions as shown, taking care not to nick the centre core.



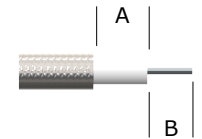
2) Slide the cable into the body so that the centre core of the cable locates in the internal mounting post. Solder the centre core.



3) Solder the outer shield of the cable to the back of the connector and fit the end cap.



Strip Dimensions:
A=1.0mm, B=1.0mm



| | | | |
|---|--------------------|------------------|---------------|
| 5 | Dielectric | PTFE | White |
| 4 | Ring | Beryllium Copper | Gold |
| 3 | End Cap | Brass | Gold |
| 2 | Contact | Beryllium Copper | Gold |
| 1 | Body | Beryllium Copper | Gold |
| | Description | Material | Finish |

Unless otherwise specified tolerances
 0.5-5 = ±0.2
 >5-30 = ±0.4
 >30-120 = ±0.6
 >120-315 = ±1.0
 >315-1000 = ±1.6
 Angles = ±5°
 Units = mm

This document is the confidential property of Gigatronix Limited and may not be copied, reproduced or transmitted to any third party without written authorisation.



| | |
|---------------------|--------------|
| Author | PJP |
| Drawn by | PJP |
| Drawing date | 10/06/14 |
| Checked by | GP |
| Checked date | 07/05/15 |
| Scale | Not to scale |

Part Number MP17-0405-R01

Title: SMP Direct Solder Right Angle Jack, RG405 Conformable