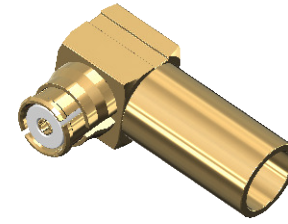


Revisions

Issue	Date	Note
4	20/06/2023	See GTXPDC/791

DATASHEET



1. Mechanical

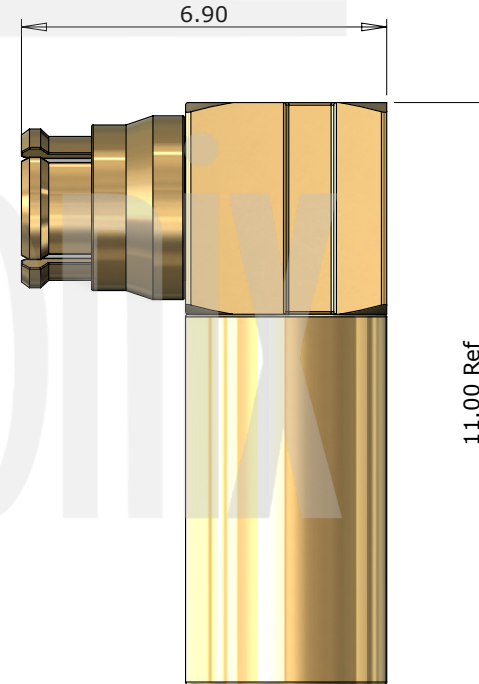
Fixing Method: Crimp
 Cable Retention: Equal to breaking strain of cable
 Durability: Full Detent: 100 Cycles
 Limited Detent: 500 Cycles
 Smooth Bore: 1000 Cycles

2. Environmental

RoHS Compliant: Yes
 Temperature Range: -65 to +165 degrees C

3. Electrical

Dielectric Withstanding: 500 Volts RMS Maximum
 Impedance: 50 ohms
 Interface Frequency: 40 GHz
 Working Voltage: 335 Volts RMS Maximum



Description	Material	Finish
6 Insulator	PTFE	White
5 Dielectric	PTFE	White
4 End Cap	Brass	Gold
3 Ferrule	Brass	Gold
2 Contact	Beryllium Copper	Gold
1 Body	Brass / Beryllium Copper	Gold

Unless otherwise specified tolerances
 0.5-5 = ±0.2
 >5-30 = ±0.4
 >30-120 = ±0.6
 >120-315 = ±1.0
 >315-1000 = ±1.6
 Angles = ±5°
 Units = mm

This document is the confidential property of Gigatronix Limited and may not be copied, reproduced or transmitted to any third party without written authorisation.



Author	PJP
Drawn by	PJP
Drawing date	25/01/2017
Checked by	DB
Checked date	25/01/2017
Scale	Not to scale

Part Number	MP17-0174-C01
Title:	SMP Right Angle Crimp Jack, Gold Plated, RG174, LBC100, RG188, RG316

Revisions

Issue	Date	Note
4	20/06/2023	See GTXPDC/791

ASSEMBLY INSTRUCTIONS

Assembly Instructions

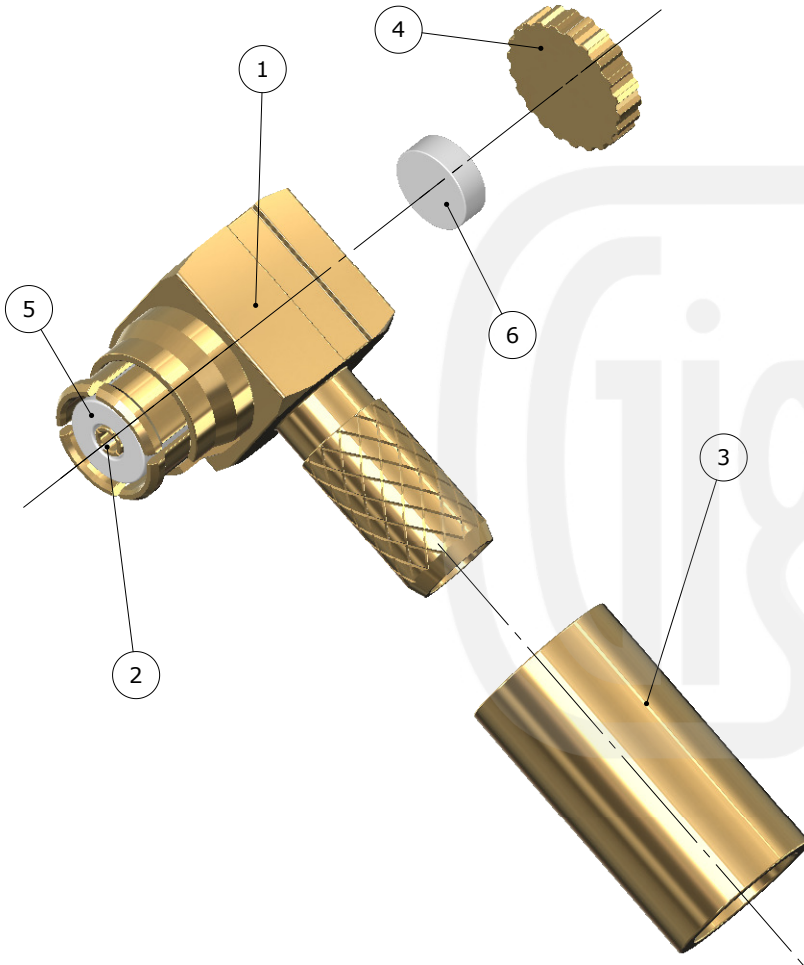
1) Slide the ferrule onto the cable and strip the cable to the dimensions as shown, taking care not to nick the centre conductor or braid.



2) Insert the cable into the body, ensuring that the cable braid is on the outside of the connector mandril and that the centre core locates in the internal mounting post.



3) Slide the ferrule forward and crimp. Solder the centre core of the cable to the mounting post, insert the insulator into the body of the connector and fit the end cap.



Crimp Hex. Sizes:
3.25mm Hex, Solder centre core

Strip Dimensions:
A=5.0mm, B=2.1mm, C=1.0mm



Description	Material	Finish
6 Insulator	PTFE	White
5 Dielectric	PTFE	White
4 End Cap	Brass	Gold
3 Ferrule	Brass	Gold
2 Contact	Beryllium Copper	Gold
1 Body	Brass / Beryllium Copper	Gold

Unless otherwise specified tolerances
 0.5-5 = ±0.2
 >5-30 = ±0.4
 >30-120 = ±0.6
 >120-315 = ±1.0
 >315-1000 = ±1.6
 Angles = ±5°
 Units = mm

This document is the confidential property of Gigatronix Limited and may not be copied, reproduced or transmitted to any third party without written authorisation.



Author	PJP
Drawn by	PJP
Drawing date	25/01/2017
Checked by	DB
Checked date	25/01/2017
Scale	Not to scale

Part Number MP17-0174-C01
Title: SMP Right Angle Crimp Jack, Gold Plated, RG174, LBC100, RG188, RG316