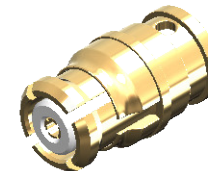


Revisions

Issue	Date	Note
6	4/07/2023	See GTXPDC/802

DATASHEET



1. Mechanical

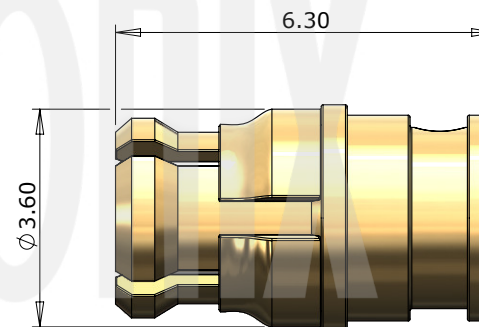
Fixing Method	Solder
Cable Retention	Equal to breaking strain of cable
Durability	Full Detent: 100 Cycles Limited Detent: 500 Cycles Smooth Bore: 1000 Cycles

2. Environmental

RoHS Compliant	Yes
Temperature Range	-65 to +165 degrees C

3. Electrical

Dielectric Withstanding	500 Volts RMS Maximum
Impedance	50 ohms
Interface Frequency	40 GHz
Working Voltage	335 Volts RMS Maximum



Description	Material	Finish
4 Dielectric	PTFE	White
3 Ring	Beryllium Copper	Gold
2 Contact	Beryllium Copper	Gold
1 Body	Beryllium Copper	Gold

Unless otherwise specified tolerances
 0.5-5 = ±0.2
 >5-30 = ±0.4
 >30-120 = ±0.6
 >120-315 = ±1.0
 >315-1000 = ±1.6
 Angles = ±5°
 Units = mm

This document is the confidential property of Gigatronix Limited and may not be copied, reproduced or transmitted to any third party without written authorisation.



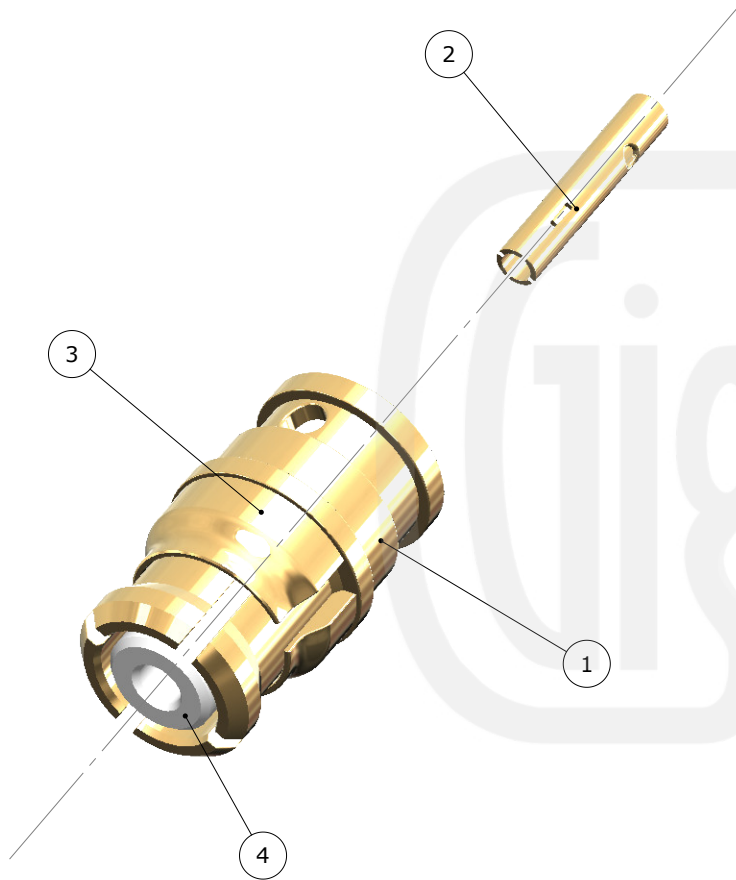
Author	PJP
Drawn by	PJP
Drawing date	04/04/2014
Checked by	GP
Checked date	17/12/2014
Scale	Not to scale

Part Number MP15-0405-R01
Title: SMP Solder Jack, Gold Plated, RG405 Conformable, RG405 Conformable FEP, .085 Semi-rigid

Revisions

Issue	Date	Note
6	4/07/2023	See GTXPDC/802

ASSEMBLY INSTRUCTIONS



Assembly Instructions:

1) Strip the cable to the dimensions as shown, taking care not to nick the centre core.

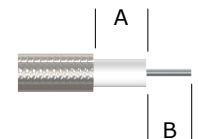


2) Solder the contact onto the cable and then insert the cable and contact into the body until fully located. Solder the outer shield of the cable to body of the connector.



Strip Dimensions:

Conformable Cable - A=0.0mm, B=1.6mm
Semi Rigid Cable (using a 0.4mm spacer) - A=0.0mm, B=2.0mm



Description	Material	Finish
4 Dielectric	PTFE	White
3 Ring	Beryllium Copper	Gold
2 Contact	Beryllium Copper	Gold
1 Body	Beryllium Copper	Gold

Unless otherwise specified tolerances
 0.5-5 = ±0.2
 >5-30 = ±0.4
 >30-120 = ±0.6
 >120-315 = ±1.0
 >315-1000 = ±1.6
 Angles = ±5°
 Units = mm

This document is the confidential property of Gigatronix Limited and may not be copied, reproduced or transmitted to any third party without written authorisation.



Part Number MP15-0405-R01

Title: SMP Solder Jack, Gold Plated, RG405 Conformable, RG405 Conformable FEP, .085 Semi-rigid

Author	PJP
Drawn by	PJP
Drawing date	04/04/2014
Checked by	GP
Checked date	17/12/2014
Scale	Not to scale