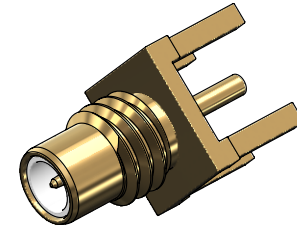


**Revisions**

Issue	Date	Note
1	12/05/2023	See GTXPDC/777



**1. Mechanical**

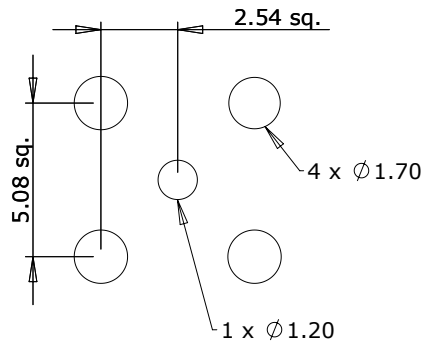
Durability 500 mating cycles  
 Fixing Method PCB

**2. Environmental**

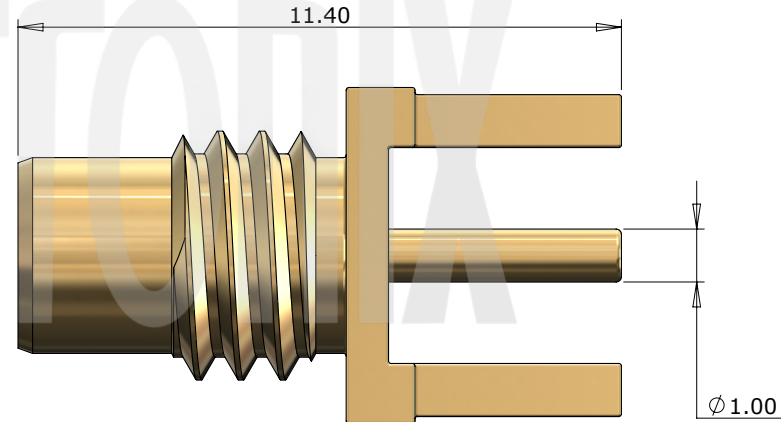
RoHS Compliant Yes  
 Temperature Range -65 to +165 degrees C

**3. Electrical**

Dielectric Withstanding 750 Volts RMS Maximum  
 Impedance 50 ohms  
 Interface Frequency 10 GHz  
 Working Voltage 335 Volts RMS Maximum



PCB Layout



3	Dielectric	PTFE	White
2	Pin	Phosphor Bronze	Gold
1	Body	Brass	Gold
	<b>Description</b>	<b>Material</b>	<b>Finish</b>

Unless otherwise specified tolerances  
 0.5-5 = ±0.2  
 >5-30 = ±0.4  
 >30-120 = ±0.6  
 >120-315 = ±1.0  
 >315-1000 = ±1.6  
 Angles = ±5°  
 Units = mm

This document is the confidential property of Gigatronix Limited and may not be copied, reproduced or transmitted to any third party without written authorisation.



<b>Author</b>	PJP
<b>Drawn by</b>	PJP
<b>Drawing date</b>	12/05/2023
<b>Checked by</b>	DB
<b>Checked date</b>	12/05/2023
<b>Scale</b>	Not to scale

**Part Number** MC10-X150-N01  
**Title:** SMC Vertical PCB Mount Jack, Gold Plated