

**Revisions**

Issue	Date	Note
1	10/11/2021	See GTXPDC/344

**DATASHEET**



**1. Mechanical**

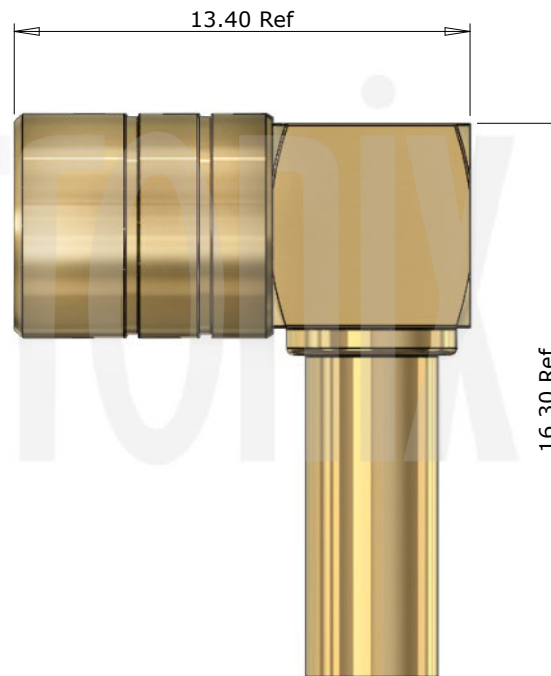
Cable Retention Equal to breaking strain of cable  
 Durability 500 mating cycles

**2. Environmental**

RoHS Compliant Yes  
 Temperature Range -65 to +165 degrees C

**3. Electrical**

Dielectric Withstanding 750 Volts RMS Maximum  
 Impedance 50 ohms  
 Interface Frequency 4 GHz  
 Working Voltage 335 Volts RMS Maximum



6	Dielectric	PTFE	White
5	Insulator	ABS	White
4	End Cap	Brass	Gold
3	Ferrule	Brass	Gold
2	Contact	Beryllium Copper	Gold
1	Body	Brass	Gold
	<b>Description</b>	<b>Material</b>	<b>Finish</b>

Unless otherwise specified tolerances  
 0.5-5 = ±0.2  
 >5-30 = ±0.4  
 >30-120 = ±0.6  
 >120-315 = ±1.0  
 >315-1000 = ±1.6  
 Angles = ±5°  
 Units = mm

This document is the confidential property of Gigatronix Limited and may not be copied, reproduced or transmitted to any third party without written authorisation.



<b>Author</b>	PJP
<b>Drawn by</b>	PJP
<b>Drawing date</b>	10/11/2021
<b>Checked by</b>	DB
<b>Checked date</b>	11/11/2021
<b>Scale</b>	Not to scale

**Part Number** MB17-0179-C01

**Title:** SMB Crimp Right Angle Plug, Gold Plated, RG179, RG187

**Revisions**

Issue	Date	Note
1	10/11/2021	See GTXPDC/344

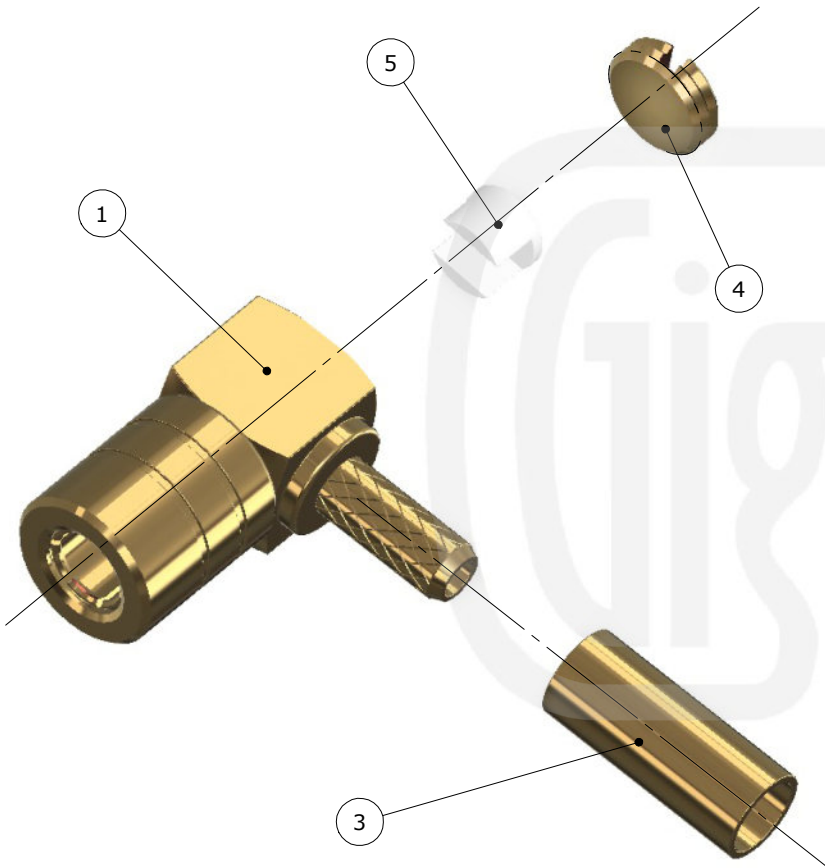
**ASSEMBLY INSTRUCTIONS**

**Assembly Instructions**

1) Slide the ferrule onto the cable and strip the cable to the dimensions as shown, taking care not to nick the centre conductor or braid.

2) Insert the cable into the body, ensuring that the cable braid is on the outside of the connector mandril and that the centre core locates in the internal mounting post.

3) Slide the ferrule forward and crimp. Solder the centre core of the cable to the mounting post and fit the insulator and end cap.



**Crimp Hex. Sizes:**

3.25mm Hex, Solder centre core

**Strip Dimensions:**

A=6.0mm, B=3.5mm, C=1.5mm



Description	Material	Finish
6 Dielectric	PTFE	White
5 Insulator	ABS	White
4 End Cap	Brass	Gold
3 Ferrule	Brass	Gold
2 Contact	Beryllium Copper	Gold
1 Body	Brass	Gold

Unless otherwise specified tolerances  
 0.5-5 = ±0.2  
 >5-30 = ±0.4  
 >30-120 = ±0.6  
 >120-315 = ±1.0  
 >315-1000 = ±1.6  
 Angles = ±5°  
 Units = mm

This document is the confidential property of Gigatronix Limited and may not be copied, reproduced or transmitted to any third party without written authorisation.



<b>Author</b>	PJP
<b>Drawn by</b>	PJP
<b>Drawing date</b>	10/11/2021
<b>Checked by</b>	DB
<b>Checked date</b>	11/11/2021
<b>Scale</b>	Not to scale

**Part Number** MB17-0179-C01

**Title:** SMB Crimp Right Angle Plug, Gold Plated, RG179, RG187