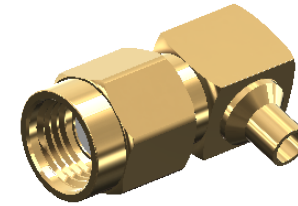


Revisions

Issue	Date	Note
1	14/12/2022	See GTXPDC/625

DATASHEET



1. Mechanical

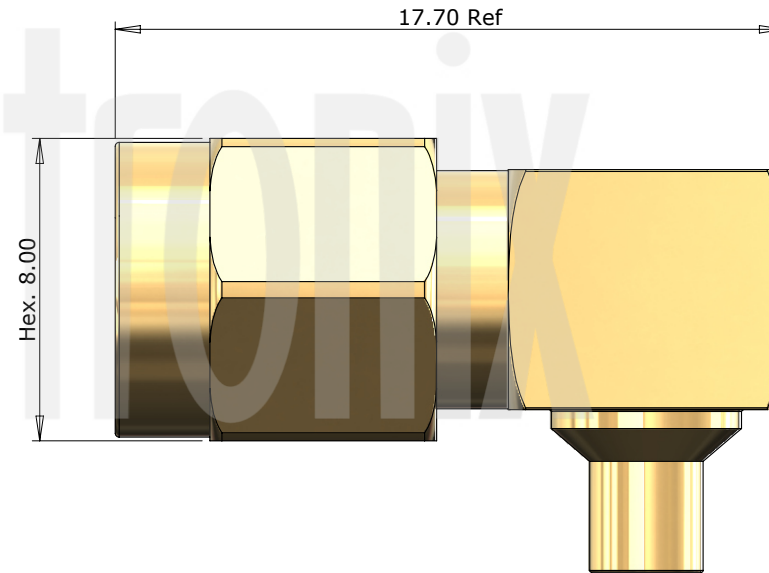
Cable Retention	136N
Durability	500 mating cycles
Fixing Method	Solder
Mating Torque	0.79 to 1.13Nm

2. Environmental

RoHS Compliant	Yes
Temperature Range	-65 to +165 degrees C

3. Electrical

Dielectric Withstanding	750 Volts RMS Maximum
Impedance	50 ohms
Interface Frequency	12.4 GHz
Working Voltage	335 Volts RMS Maximum



Description	Material	Finish
5 End Cap	Brass	Gold
4 Dielectric	PTFE	White
3 Contact	Beryllium Copper	Gold
2 Coupling Nut	Brass	Gold
1 Body	Brass	Gold

Unless otherwise specified tolerances
 0.5-5 = ±0.2
 >5-30 = ±0.4
 >30-120 = ±0.6
 >120-315 = ±1.0
 >315-1000 = ±1.6
 Angles = ±5°
 Units = mm

This document is the confidential property of Gigatronix Limited and may not be copied, reproduced or transmitted to any third party without written authorisation.



Author	PJP
Drawn by	PJP
Drawing date	14/12/2022
Checked by	DB
Checked date	19/12/2022
Scale	Not to scale

Part Number MA17-0405-R01-R
Title: SMA Reverse Polarity Solder Right Angle Plug, Gold Plated, RG405, .085 semi-rigid

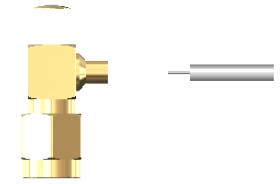
Revisions

Issue	Date	Note
1	14/12/2022	See GTXPDC/625

ASSEMBLY INSTRUCTIONS

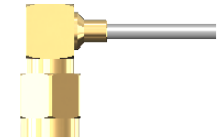
Assembly Instructions

1) Strip the cable to the dimensions as shown, taking care not to nick the centre conductor or braid.

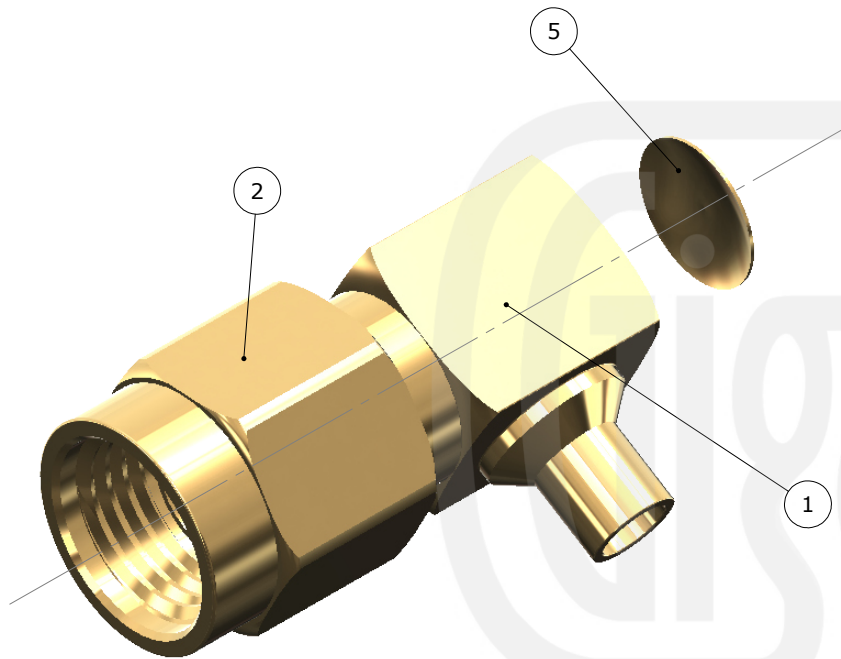
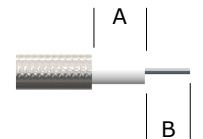


2) Slide the cable into the body so that the centre core of the cable locates in the internal mounting post. Then solder the centre core.

3) Solder the outer shield of the cable to the back of the connector and fit the end cap.



Strip Dimensions:
A=0.0mm, B=2.6mm



Description	Material	Finish
5 End Cap	Brass	Gold
4 Dielectric	PTFE	White
3 Contact	Beryllium Copper	Gold
2 Coupling Nut	Brass	Gold
1 Body	Brass	Gold

Unless otherwise specified tolerances
 0.5-5 = ±0.2
 >5-30 = ±0.4
 >30-120 = ±0.6
 >120-315 = ±1.0
 >315-1000 = ±1.6
 Angles = ±5°
 Units = mm

This document is the confidential property of Gigatronix Limited and may not be copied, reproduced or transmitted to any third party without written authorisation.



Author	PJP
Drawn by	PJP
Drawing date	14/12/2022
Checked by	DB
Checked date	19/12/2022
Scale	Not to scale

Part Number MA17-0405-R01-R
Title: SMA Reverse Polarity Solder Right Angle Plug, Gold Plated, RG405, .085 semi-rigid