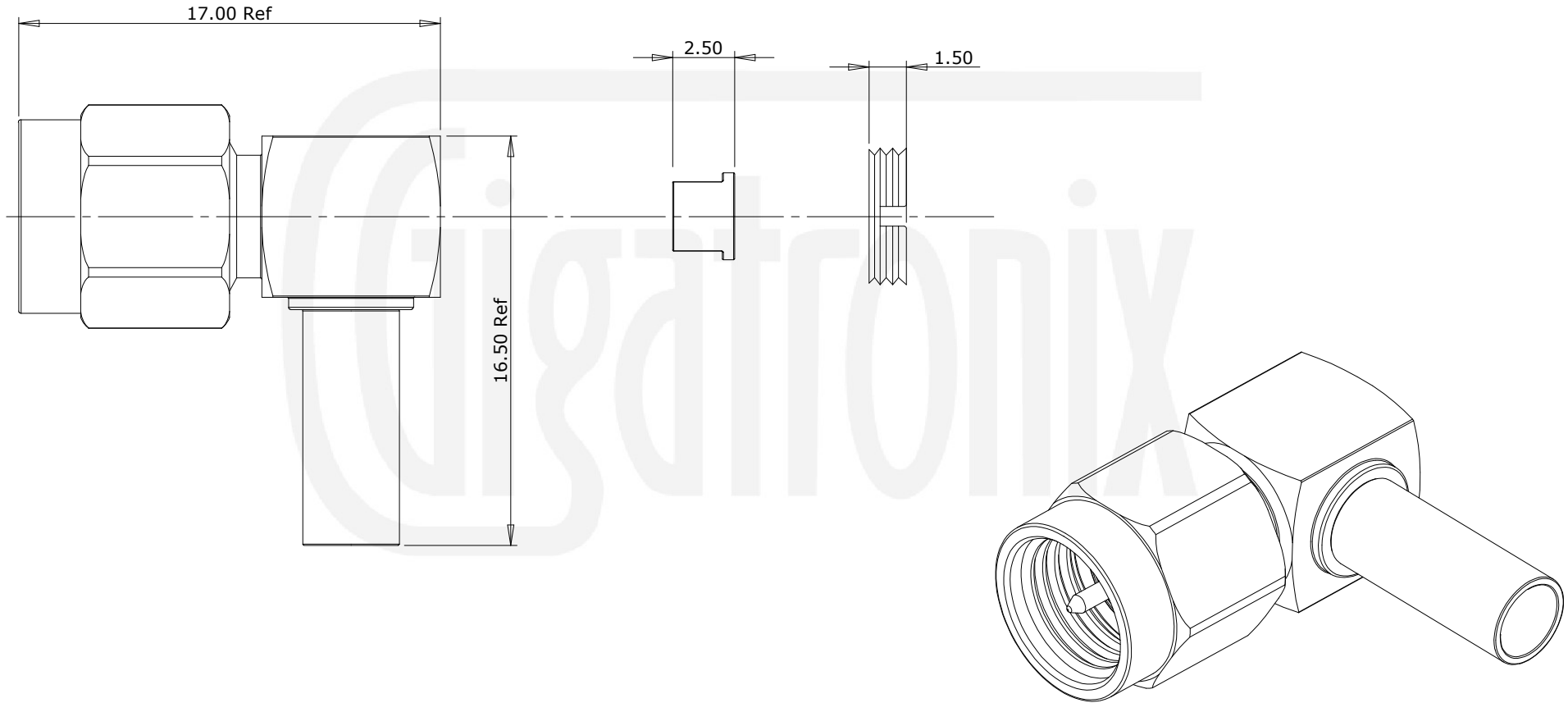


Revisions

Issue	Date	Note
1	11/04/2018	See note 456773864

SUMMARY VIEW



7	Insulator	ABS	White
6	End Cap	Brass	Gold
5	Dielectric	PTFE	White
4	Ferrule	Brass	Gold
3	Pin	Brass	Gold
2	Coupling Nut	Brass	Gold
1	Body	Brass	Gold
	Description	Material	Finish

Unless otherwise specified tolerances
 0.5-5 = ±0.2
 >5-30 = ±0.4
 >30-120 = ±0.6
 >120-315 = ±1.0
 >315-1000 = ±1.6
 Angles = ±5°
 Units = mm

This document is the confidential property of Gigatronix Limited and may not be copied, reproduced or transmitted to any third party without written authorisation.



Author	PJP
Drawn by	PJP
Drawing date	11/04/2018
Checked by	TM
Checked date	16/04/2018
Scale	4 : 1

Part Number	MA17-0174-C01
Title:	SMA Crimp Right Angle Plug, Gold Plated, RG174, LBC100, RG316