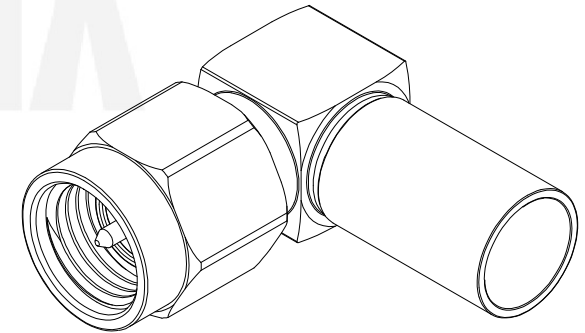
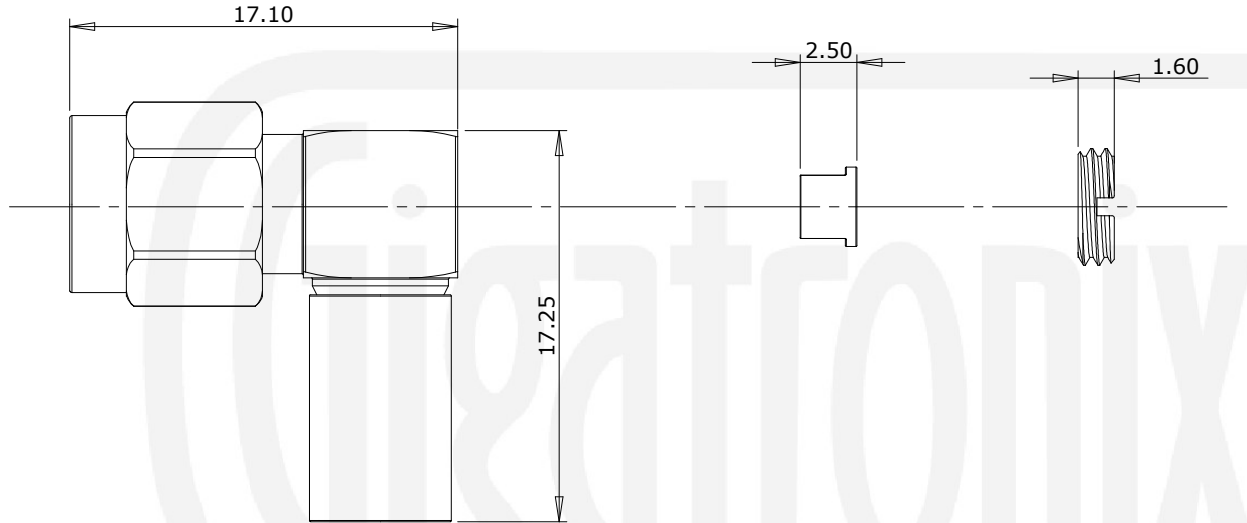


**Revisions**

Issue	Date	Note
1	29/07/2020	See GTXPDC/178

**SUMMARY VIEW**



7	Insulator	ABS	White
6	Coupling Nut	Brass	Gold
5	Ferrule	Brass	Gold
4	End Cap	Brass	Gold
3	Dielectric	PTFE	White
2	Pin	Brass	Gold
1	Body	Brass	Gold
	<b>Description</b>	<b>Material</b>	<b>Finish</b>

Unless otherwise specified tolerances  
 0.5-5 = ±0.2  
 >5-30 = ±0.4  
 >30-120 = ±0.6  
 >120-315 = ±1.0  
 >315-1000 = ±1.6  
 Angles = ±5°  
 Units = mm

This document is the confidential property of Gigatronix Limited and may not be copied, reproduced or transmitted to any third party without written authorisation.



<b>Author</b>	PJP
<b>Drawn by</b>	PJP
<b>Drawing date</b>	29/07/2020
<b>Checked by</b>	SM
<b>Checked date</b>	18/11/2020
<b>Scale</b>	3 : 1

<b>Part Number</b>	MA17-0058-C01
<b>Title:</b>	SMA Crimp Right Angle Plug, Gold Plated, RG58, LBC195, URM43