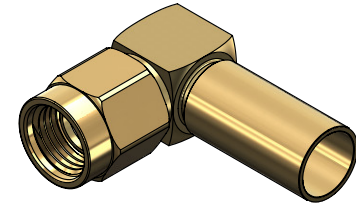


**Revisions**

Issue	Date	Note
2	19/03/2024	See GTXPDC/916

**DATASHEET**



**1. Mechanical**

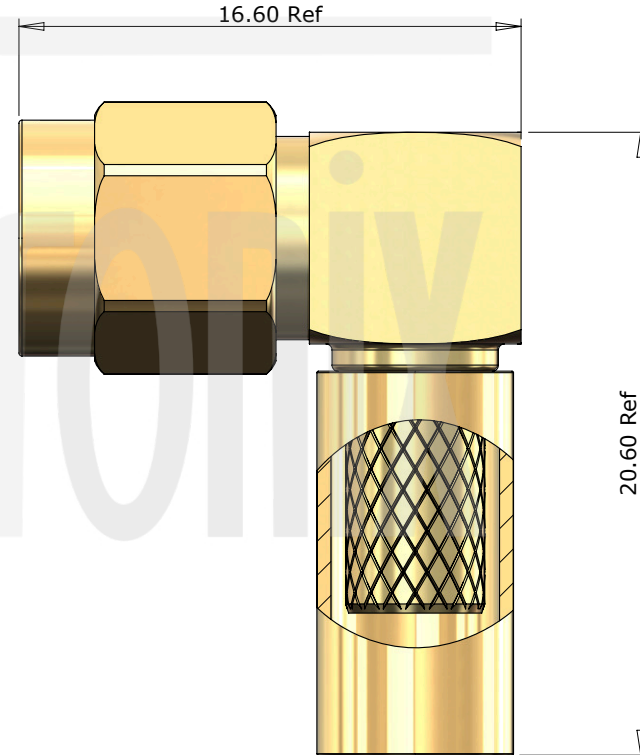
Cable Retention	Equal to breaking strain of cable
Durability	500 mating cycles
Contact Termination	Solder
Fixing Method	Crimp
Mating Torque	0.79 to 1.13Nm

**2. Environmental**

RoHS Compliant	Yes
Temperature Range	-65 to +165 degrees C

**3. Electrical**

Dielectric Withstanding	1000 Volts RMS Maximum
Impedance	50 ohms
Interface Frequency	12.4 GHz
Working Voltage	500 Volts RMS Maximum



	Description	Material	Finish
6	Ferrule	Brass	Gold
5	End Cap	Brass	Gold
4	Dielectric	PTFE	White
3	Contact	Beryllium Copper	Gold
2	Coupling Nut	Brass	Gold
1	Body	Brass	Gold

Unless otherwise specified tolerances  
 0.5-5 = ±0.2  
 >5-30 = ±0.4  
 >30-120 = ±0.6  
 >120-315 = ±1.0  
 >315-1000 = ±1.6  
 Angles = ±5°  
 Units = mm

This document is the confidential property of Gigatronix Limited and may not be copied, reproduced or transmitted to any third party without written authorisation.



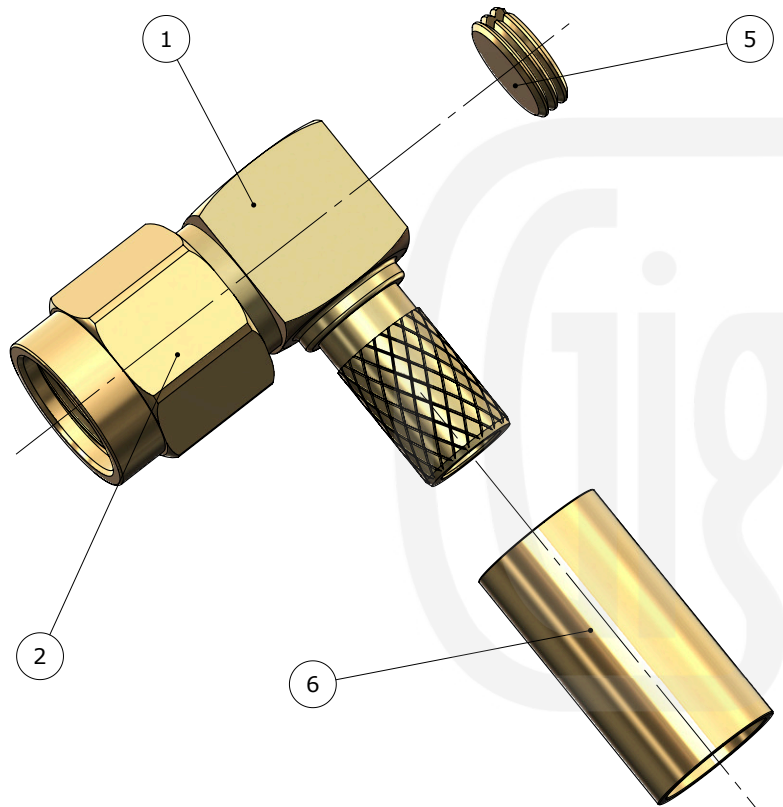
<b>Author</b>	PJP
<b>Drawn by</b>	PJP
<b>Drawing date</b>	29/10/2018
<b>Checked by</b>	DB
<b>Checked date</b>	29/10/2018
<b>Scale</b>	Not to scale

**Part Number** MA17-0058-C01-R  
**Title:** SMA Reverse Polarity Crimp Right Angle Plug, Gold Plated, RG58, LBC195, URM43

Revisions

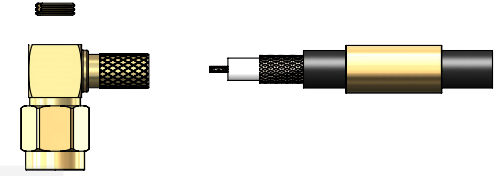
Issue	Date	Note
2	19/03/2024	See GTXPDC/916

ASSEMBLY INSTRUCTIONS



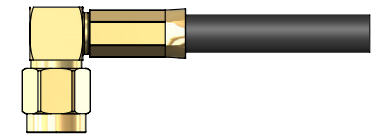
Assembly Instructions

1) Slide the ferrule onto the cable and strip the cable to the dimensions as shown, taking care not to nick the centre conductor or braid.



2) Insert the cable into the body, ensuring that the cable braid is on the outside of the connector mandril and that the centre core locates in the internal mounting post.

3) Slide the ferrule forward and crimp. Solder the centre core of the cable to the mounting post and fit the end cap.



**Crimp Die Sizes:**  
5.41mm Hex., Solder centre core

**Strip Dimensions:**  
A=8.0mm, B=3.0mm, C=2.5mm



Description	Material	Finish
6 Ferrule	Brass	Gold
5 End Cap	Brass	Gold
4 Dielectric	PTFE	White
3 Contact	Beryllium Copper	Gold
2 Coupling Nut	Brass	Gold
1 Body	Brass	Gold

Unless otherwise specified tolerances  
 0.5-5 = ±0.2  
 >5-30 = ±0.4  
 >30-120 = ±0.6  
 >120-315 = ±1.0  
 >315-1000 = ±1.6  
 Angles = ±5°  
 Units = mm

This document is the confidential property of Gigatronix Limited and may not be copied, reproduced or transmitted to any third party without written authorisation.



**Part Number** MA17-0058-C01-R  
**Title:** SMA Reverse Polarity Crimp Right Angle Plug, Gold Plated, RG58, LBC195, URM43

<b>Author</b>	PJP
<b>Drawn by</b>	PJP
<b>Drawing date</b>	29/10/2018
<b>Checked by</b>	DB
<b>Checked date</b>	29/10/2018
<b>Scale</b>	Not to scale