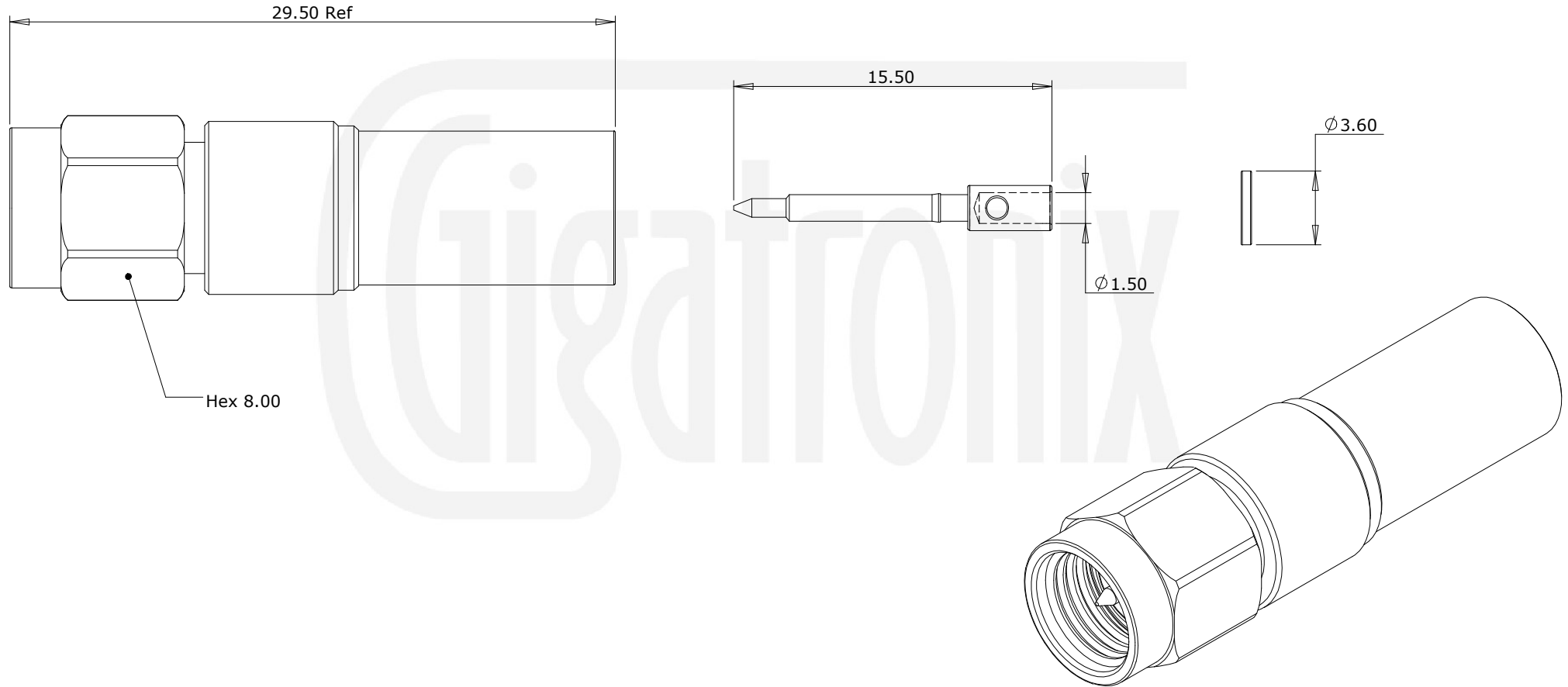


Revisions

Issue	Date	Note
3	05/06/2020	See note GTXPDC/159 - Checked PP

SUMMARY VIEW



6	Insulator	PTFE	White
5	Dielectric	PTFE	White
4	Coupling Nut	Brass	Gold
3	Ferrule	Brass	Gold
2	Pin	Brass	Gold
1	Body	Brass	Gold
	Description	Material	Finish

Unless otherwise specified tolerances
 0.5-5 = ±0.2
 >5-30 = ±0.4
 >30-120 = ±0.6
 >120-315 = ±1.0
 >315-1000 = ±1.6
 Angles = ±5°
 Units = mm

This document is the confidential property of Gigatronix Limited and may not be copied, reproduced or transmitted to any third party without written authorisation.



Author	PJP
Drawn by	PJP
Drawing date	31/05/2017
Checked by	GP
Checked date	01/06/2017
Scale	3.5 : 1

Part Number MA15-L240-C01
Title: SMA Crimp Plug, Gold Plated, LBC240