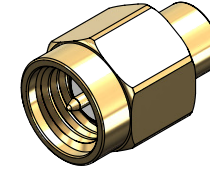


Revisions

Issue	Date	Note
2	11/06/2024	See note GTXPDC/949

DATASHEET



1. Mechanical

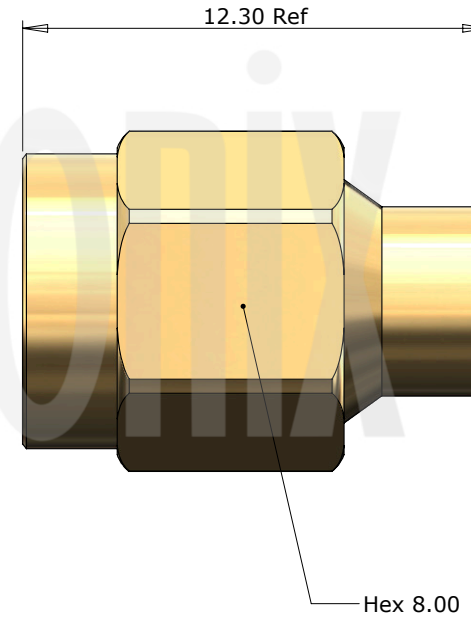
Contact Retention	27N
Durability	500 mating cycles
Fixing Method	Solder
Cable Retention	272N
Mating Torque	0.79 to 1.13Nm

2. Environmental

RoHS Compliant	Yes
Temperature Range	-65 to +165 degrees C

3. Electrical

Dielectric Withstanding	1000 Volts RMS Maximum
Impedance	50 ohms
Interface Frequency	18 GHz
Working Voltage	500 Volts RMS Maximum



Description	Material	Finish
4 Insulator	PTFE	White
3 Coupling Nut	Brass	Gold
2 Pin	Brass	Gold
1 Body	Brass	Gold

Unless otherwise specified tolerances
 0.5-5 = ±0.2
 >5-30 = ±0.4
 >30-120 = ±0.6
 >120-315 = ±1.0
 >315-1000 = ±1.6
 Angles = ±5°
 Units = mm

This document is the confidential property of Gigatronix Limited and may not be copied, reproduced or transmitted to any third party without written authorisation.

	Author	PJP
	Drawn by	PJP
	Drawing date	05/05/2020
	Checked by	DB
	Checked date	05/05/2020
Scale	Not to scale	
Part Number	MA15-0402-R01	
Title:	SMA Solder Plug, Gold Plated, RG402, .141 semi-rigid	

Revisions

Issue	Date	Note
2	11/06/2024	See note GTXPDC/949

ASSEMBLY INSTRUCTIONS

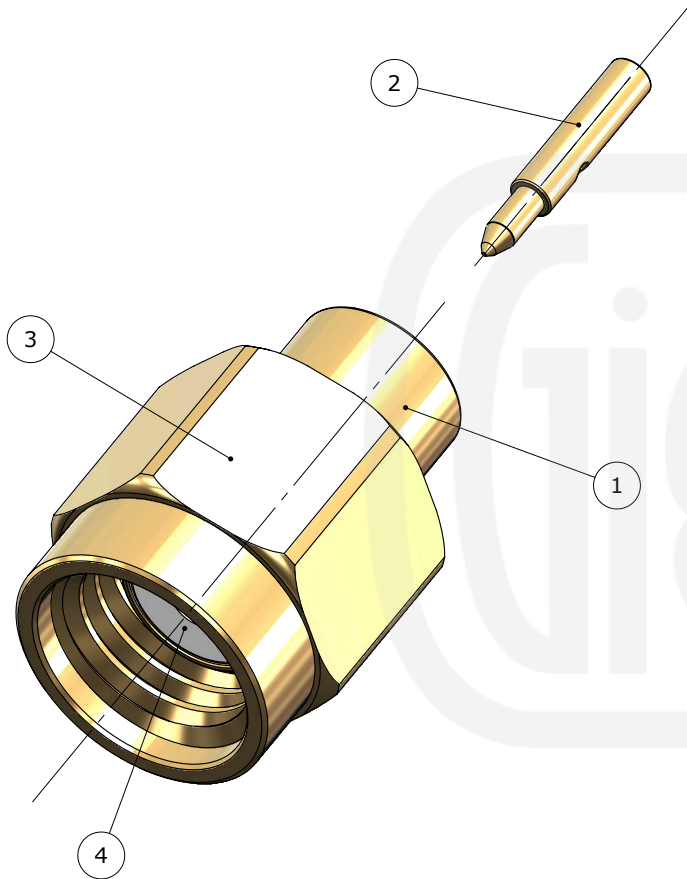
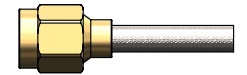
Assembly Instructions:

1) Strip the cable to the dimensions as shown, taking care not to nick the centre core.



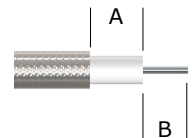
2) Solder the pin onto the centre core and slide the pin into the body, ensuring that the pin is located in accordance with MIL-C-39012 interface dimensional requirements.

3) Solder the outer shield of the cable to the connector mandril.



Strip Dimensions:

Semi Rigid (using a 0.5mm spacer) - A=0.0mm, B=3.5mm
 Conformable - A=0.0mm, B=3.0mm



Conformable FEP - A=7.0mm, B=0.0mm, C=3.0mm



Description	Material	Finish
4 Insulator	PTFE	White
3 Coupling Nut	Brass	Gold
2 Pin	Brass	Gold
1 Body	Brass	Gold

Unless otherwise specified tolerances
 0.5-5 = ±0.2
 >5-30 = ±0.4
 >30-120 = ±0.6
 >120-315 = ±1.0
 >315-1000 = ±1.6
 Angles = ±5°
 Units = mm

This document is the confidential property of Gigatronix Limited and may not be copied, reproduced or transmitted to any third party without written authorisation.



Author	PJP
Drawn by	PJP
Drawing date	05/05/2020
Checked by	DB
Checked date	05/05/2020
Scale	Not to scale

Part Number MA15-0402-R01

Title: SMA Solder Plug, Gold Plated, RG402, .141 semi-rigid