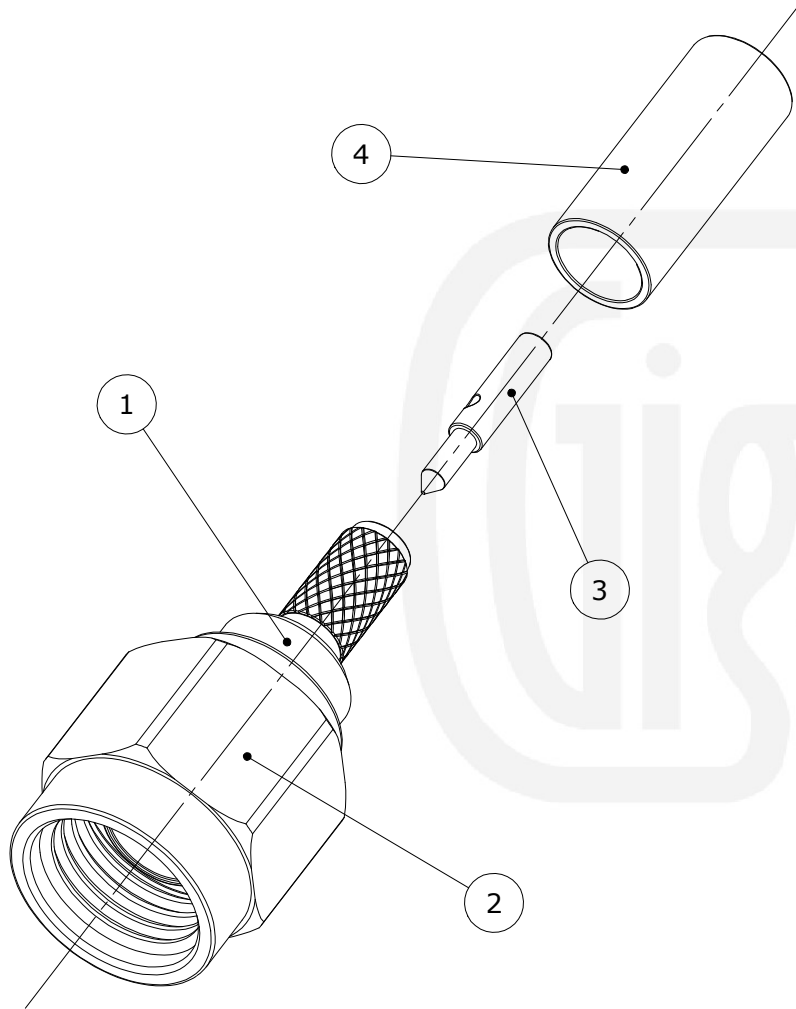


Revisions

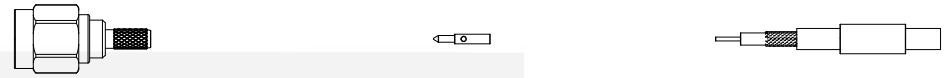
Issue	Date	Note
1	31/01/2018	See note 470145736

ASSEMBLY VIEW



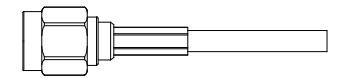
Assembly Instructions

1) Slide the ferrule onto the cable and strip the cable to the dimensions as shown, taking care not to nick the centre conductor or braid.



2) Solder the pin onto the centre core and slide the pin into the body, ensuring that the cable braid is on the outside of the connector mandril and that the pin is located in accordance with MIL-C-39012 interface dimensional requirements.

3) Slide the ferrule forward and crimp.

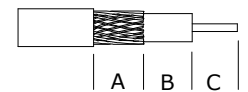


Crimp Hex. Sizes:

3.25mm Hex, Solder centre core

Strip Dimensions:

A=6.0mm, B=4.5mm, C=3.5mm



Description	Material	Finish
5 Dielectric	PTFE	White
4 Ferrule	Brass	Nickel
3 Pin	Brass	Gold
2 Coupling Nut	Brass	Nickel
1 Body	Brass	Nickel

Unless otherwise specified tolerances
 0.5-5 = ±0.2
 >5-30 = ±0.4
 >30-120 = ±0.6
 >120-315 = ±1.0
 >315-1000 = ±1.6
 Angles = ±5°
 Units = mm

This document is the confidential property of Gigatronix Limited and may not be copied, reproduced or transmitted to any third party without written authorisation.



Author	PJP
Drawn by	PJP
Drawing date	31/01/2018
Checked by	DB
Checked date	05/02/2018
Scale	Not to scale

Part Number MA15-0174-C06

Title: SMA Crimp Plug, Nickel Plated, RG174, LBC100, RG316