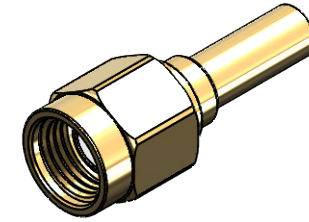


**Revisions**

Issue	Date	Note
3	19/07/2024	See note GTXPDC/976



**1. Mechanical**

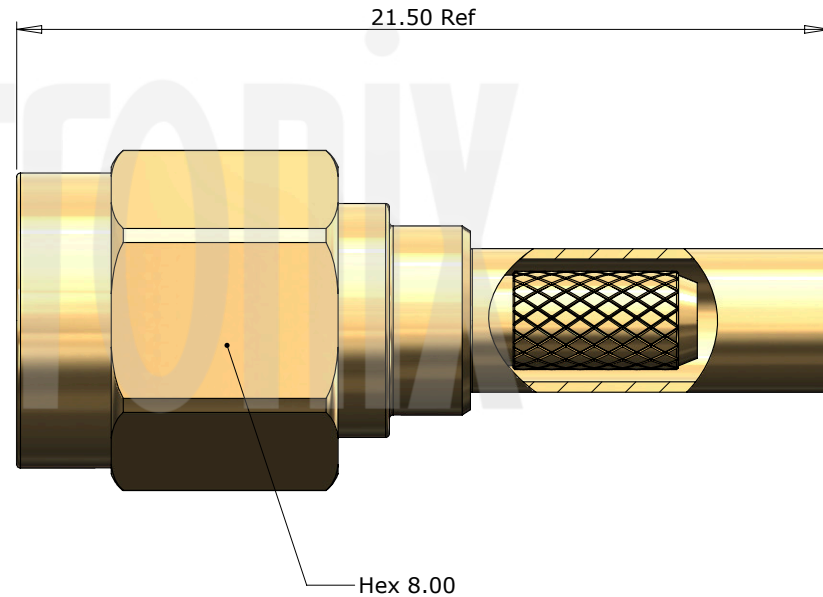
Cable Retention	Equal to breaking strain of cable
Durability	500 mating cycles
Mating Torque	0.79 to 1.13Nm (7-10 in-lbs)
Contact Termination	Solder
Fixing Method	Crimp

**2. Environmental**

RoHS Compliant	Yes
Temperature Range	-65 to +165 degrees C

**3. Electrical**

Dielectric Withstanding	750 Volts RMS Maximum
Impedance	50 ohms
Interface Frequency	12.4 GHz
Working Voltage	335 Volts RMS Maximum



Description	Material	Finish
5 Ferrule	Brass	Gold
4 Dielectric	PTFE	White
3 Coupling Nut	Brass	Gold
2 Contact	Beryllium Copper	Gold
1 Body	Brass	Gold

Unless otherwise specified tolerances  
 0.5-5 = ±0.2  
 >5-30 = ±0.4  
 >30-120 = ±0.6  
 >120-315 = ±1.0  
 >315-1000 = ±1.6  
 Angles = ±5°  
 Units = mm

This document is the confidential property of Gigatronix Limited and may not be copied, reproduced or transmitted to any third party without written authorisation.



<b>Author</b>	PJP
<b>Drawn by</b>	PJP
<b>Drawing date</b>	28/10/2020
<b>Checked by</b>	DB
<b>Checked date</b>	28/10/2020
<b>Scale</b>	Not to scale

**Part Number** MA15-0174-C01-R  
**Title:** SMA Reverse Polarity Crimp Plug, Gold Plated, RG174, LBC100, RG316

Revisions		
Issue	Date	Note
3	19/07/2024	See note GTXPDC/976

# ASSEMBLY INSTRUCTIONS

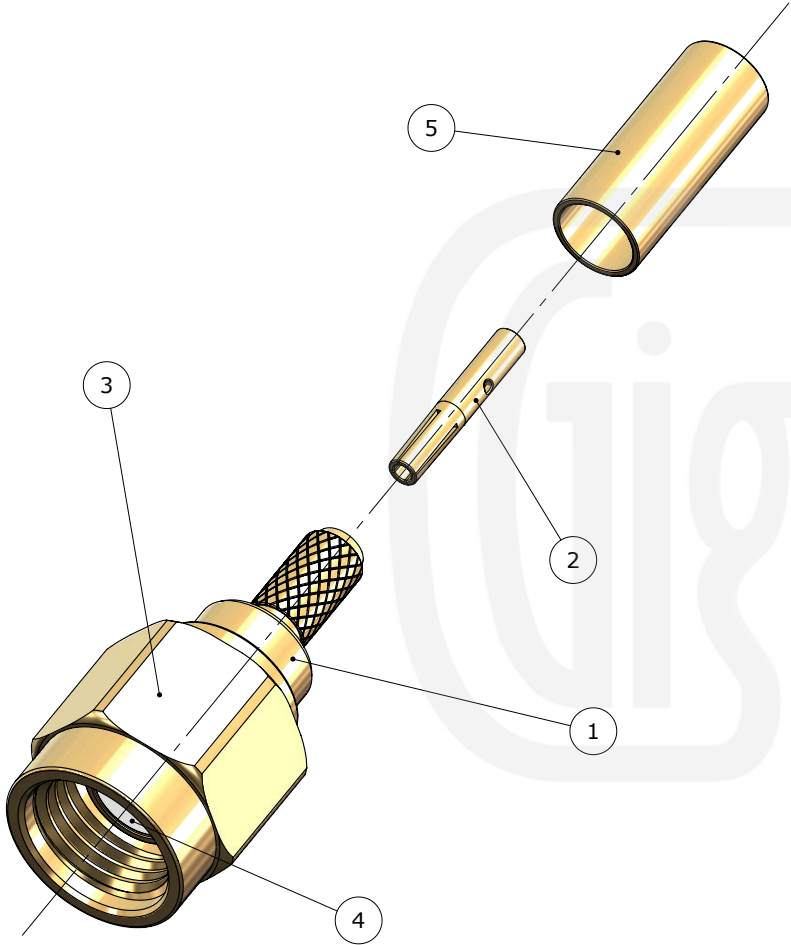
## Assembly Instructions

1) Slide the ferrule onto the cable and strip the cable to the dimensions as shown, taking care not to nick the centre conductor or braid.



2) Solder the contact onto the centre core and slide the contact into the body, ensuring that the cable braid is on the outside of the connector mandril and that the contact is located in accordance with MIL-C-39012 interface dimensional requirements.

3) Slide the ferrule forward and crimp.



**Crimp Hex. Sizes:**  
3.25mm Hex, Solder centre core

**Strip Dimensions:**  
A=6.0mm, B=2.5mm, C=1.5mm



Description	Material	Finish
5 Ferrule	Brass	Gold
4 Dielectric	PTFE	White
3 Coupling Nut	Brass	Gold
2 Contact	Beryllium Copper	Gold
1 Body	Brass	Gold

Unless otherwise specified tolerances  
 0.5-5 = ±0.2  
 >5-30 = ±0.4  
 >30-120 = ±0.6  
 >120-315 = ±1.0  
 >315-1000 = ±1.6  
 Angles = ±5°  
 Units = mm

This document is the confidential property of Gigatronix Limited and may not be copied, reproduced or transmitted to any third party without written authorisation.



<b>Author</b>	PJP
<b>Drawn by</b>	PJP
<b>Drawing date</b>	28/10/2020
<b>Checked by</b>	DB
<b>Checked date</b>	28/10/2020
<b>Scale</b>	Not to scale

**Part Number** MA15-0174-C01-R  
**Title:** SMA Reverse Polarity Crimp Plug, Gold Plated, RG174, LBC100, RG316