

Revisions

Issue	Date	Note
1	02/12/2021	See note GTXPDC/362

DATASHEET



1. Mechanical

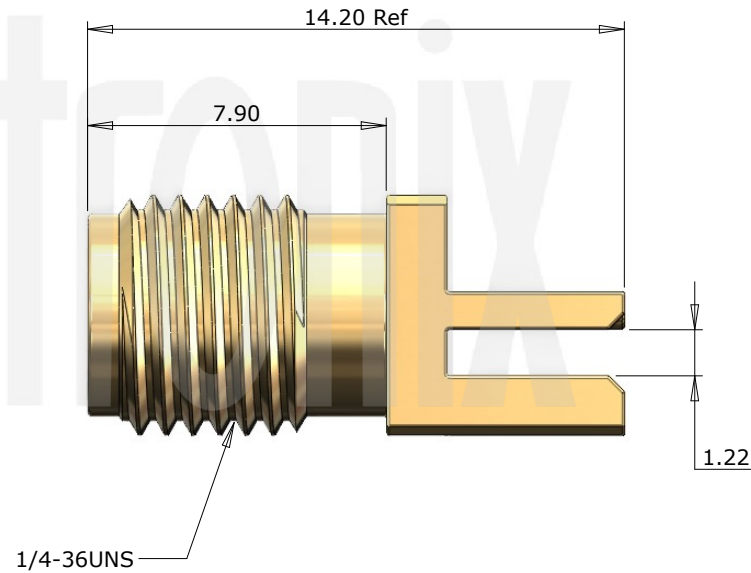
Durability 500 mating cycles
 Fixing Method PCB

2. Environmental

RoHS Compliant Yes
 Temperature Range -65 to +165 degrees C

3. Electrical

Dielectric Withstanding 1000 Volts RMS Maximum
 Impedance 50 ohms
 Interface Frequency 12.4 GHz
 Working Voltage 500 Volts RMS Maximum



3	Dielectric	PTFE	White
2	Contact	Beryllium Copper	Gold
1	Body	Brass	Gold
	Description	Material	Finish

Unless otherwise specified tolerances
 0.5-5 = ±0.2
 >5-30 = ±0.4
 >30-120 = ±0.6
 >120-315 = ±1.0
 >315-1000 = ±1.6
 Angles = ±5°
 Units = mm

This document is the confidential property of Gigatronix Limited and may not be copied, reproduced or transmitted to any third party without written authorisation.



Author	PJP
Drawn by	PJP
Drawing date	02/12/2021
Checked by	DB
Checked date	02/12/2021
Scale	Not to scale

Part Number MA10-X800-N01-1
Title: SMA End Launch Jack, Gold Plated, 6.35mm x 6.35mm Flange, 1.07mm PCB