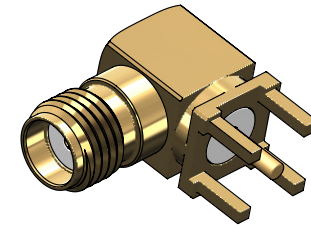


Revisions

Issue	Date	Note
1	17/10/2023	See GTXPDC/843

DATASHEET



1. Mechanical

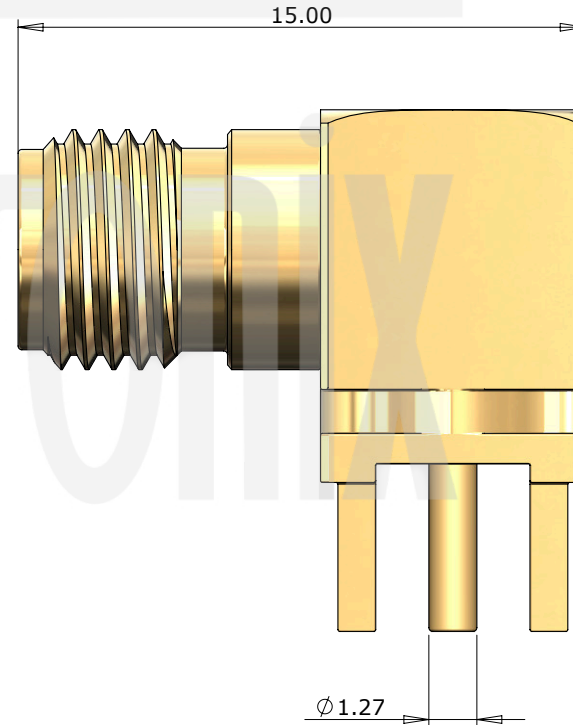
Durability 500 mating cycles
 Fixing Method PCB

2. Environmental

RoHS Compliant Yes
 Temperature Range -65 to +165 degrees C

3. Electrical

Dielectric Withstanding 1000 Volts RMS Maximum
 Impedance 50 ohms
 Interface Frequency 12.4 GHz
 Working Voltage 500 Volts RMS Maximum



3	Dielectric	PTFE	White
2	Contact	Phosphor Bronze	Gold
1	Body	Brass	Gold
	Description	Material	Finish

Unless otherwise specified tolerances
 0.5-5 = ±0.2
 >5-30 = ±0.4
 >30-120 = ±0.6
 >120-315 = ±1.0
 >315-1000 = ±1.6
 Angles = ±5°
 Units = mm

This document is the confidential property of Gigatronix Limited and may not be copied, reproduced or transmitted to any third party without written authorisation.

		Author	PJP
		Drawn by	PJP
		Drawing date	17/10/2023
		Checked by	DB
		Checked date	17/10/2023
		Scale	Not to scale
Part Number	MA10-X170-N01		
Title: SMA Right Angle PCB Mount Jack, Gold Plated			