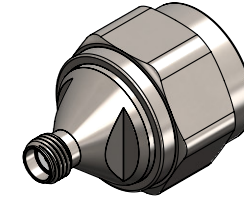


Revisions

Issue	Date	Note
1	09/07/2024	See note GTXPDC/967

DATASHEET



1. Mechanical

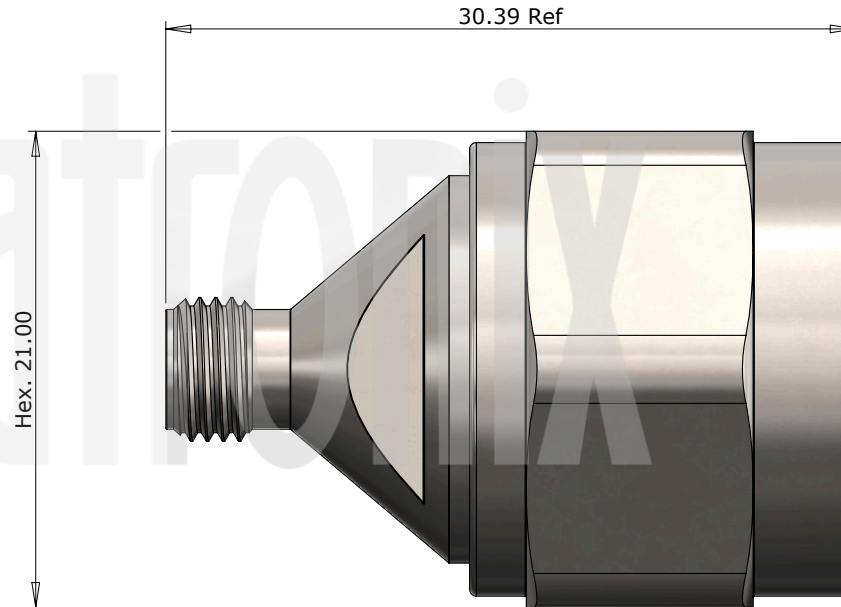
Durability 500 mating cycles

2. Environmental

RoHS Compliant Yes
 Temperature Range -65 to +165 degrees C

3. Electrical

Dielectric Withstanding 1000 Volts RMS Maximum
 Impedance 50 ohms
 VSWR < 1.25 @ 18 GHz
 Working Voltage 500 Volts RMS Maximum



4	Dielectric	PTFE	White
3	Contact	Beryllium Copper	Gold
2	Coupling Nut	Stainless Steel	Passivated
1	Body	Stainless Steel	Passivated
	Description	Material	Finish

Unless otherwise specified tolerances
 0.5-5 = ±0.2
 >5-30 = ±0.4
 >30-120 = ±0.6
 >120-315 = ±1.0
 >315-1000 = ±1.6
 Angles = ±5°
 Units = mm

This document is the confidential property of Gigatronix Limited and may not be copied, reproduced or transmitted to any third party without written authorisation.



Author	PJP
Drawn by	PJP
Drawing date	09/07/2024
Checked by	DB
Checked date	09/07/2024
Scale	Not to scale

Part Number	MA10-NT15-A04
Title: SMA Jack to N Type Plug Precision Interseries Adaptor, 18GHz	