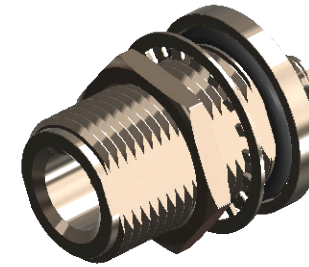


**Revisions**

Issue	Date	Note
3	26/04/2024	See GTXPDC/931



**1. Mechanical**

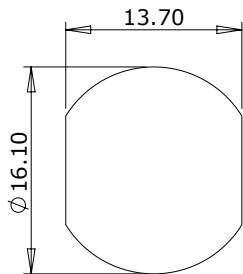
Durability 500 mating cycles  
 Fixing Method Panel

**2. Environmental**

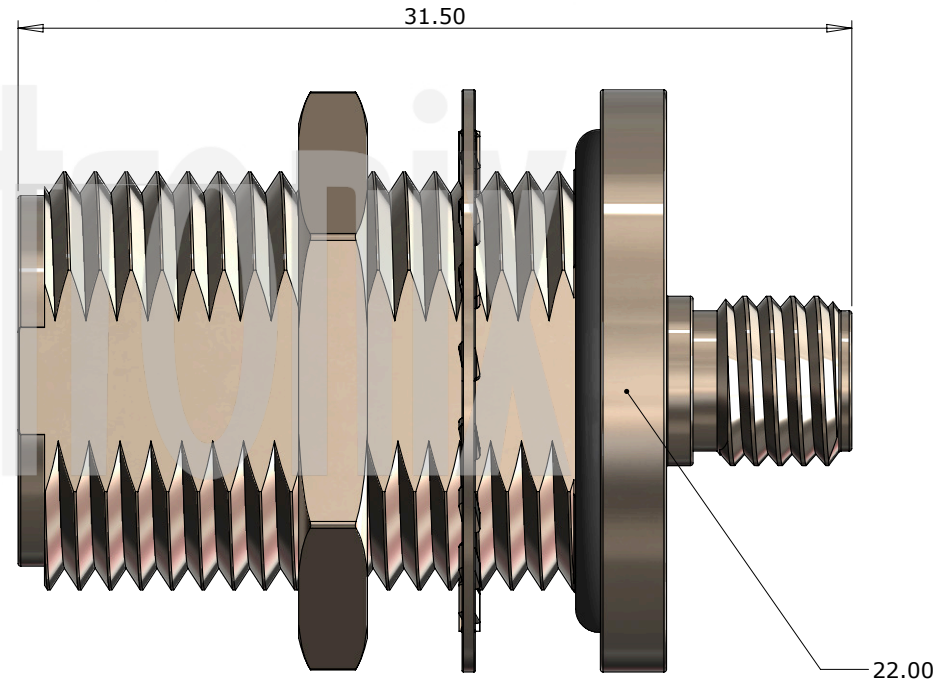
RoHS Compliant Yes  
 Temperature Range -65 to +165 degrees C

**3. Electrical**

Dielectric Withstanding 750 Volts RMS Maximum  
 Impedance 50 ohms  
 Interface Frequency 11 GHz



Panel Cut Out



Description	Material	Finish
6 O-Ring	NBR	Black
5 Washer	Stainless Steel	Nickel
4 Nut	Brass	Nickel
3 Dielectric	PTFE	White
2 Contact	Phosphor Bronze	Gold
1 Body	Brass	Nickel

Unless otherwise specified tolerances  
 0.5-5 = ±0.2  
 >5-30 = ±0.4  
 >30-120 = ±0.6  
 >120-315 = ±1.0  
 >315-1000 = ±1.6  
 Angles = ±5°  
 Units = mm

This document is the confidential property of Gigatronix Limited and may not be copied, reproduced or transmitted to any third party without written authorisation.



<b>Author</b>	PJP
<b>Drawn by</b>	PJP
<b>Drawing date</b>	14/11/2014
<b>Checked by</b>	DJB
<b>Checked date</b>	14/11/2014
<b>Scale</b>	2.5 : 1

**Part Number** MA10-NT02-A06  
**Title:** SMA Jack to N Type Bulkhead Jack Adaptor, IP68 Waterproof, Nickel Plated