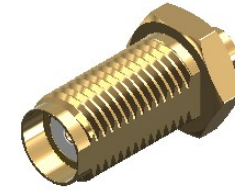


**Revisions**

Issue	Date	Note
1	17/02/2022	See note GTXPDC/420

**DATASHEET**



**1. Mechanical**

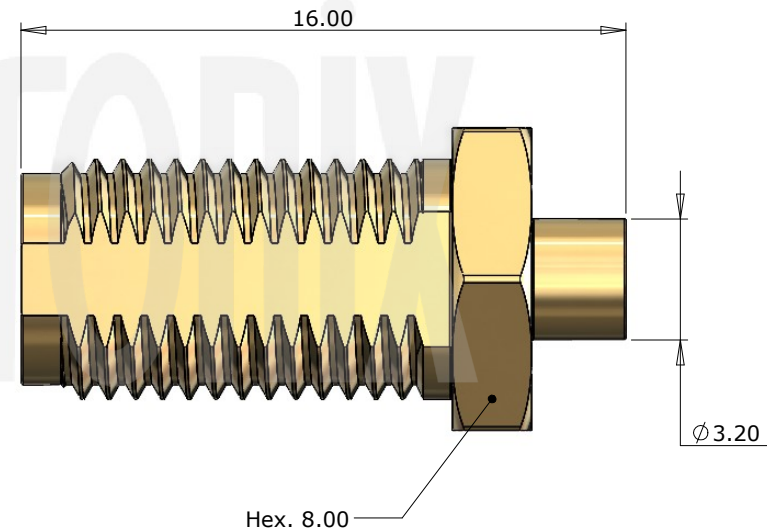
Cable Retention	27N
Durability	500 mating cycles
Fixing Method	Solder

**2. Environmental**

RoHS Compliant	Yes
Temperature Range	-65 to +165 degrees C

**3. Electrical**

Dielectric Withstanding	750 Volts RMS Maximum
Impedance	50 ohms
Interface Frequency	18 GHz
Working Voltage	335 Volts RMS Maximum



Description	Material	Finish
3 Dielectric	PTFE	White
2 Contact	Beryllium Copper	Gold
1 Body	Brass	Gold

Unless otherwise specified tolerances  
 0.5-5 = ±0.2  
 >5-30 = ±0.4  
 >30-120 = ±0.6  
 >120-315 = ±1.0  
 >315-1000 = ±1.6  
 Angles = ±5°  
 Units = mm

This document is the confidential property of Gigatronix Limited and may not be copied, reproduced or transmitted to any third party without written authorisation.

**Part Number** MA10-0405-R01  
**Title:** SMA Solder Jack, Gold Plated, RG405, .085 semi-rigid

<b>Author</b>	PJP
<b>Drawn by</b>	PJP
<b>Drawing date</b>	17/02/2022
<b>Checked by</b>	CBB
<b>Checked date</b>	18/02/2022
<b>Scale</b>	Not to scale

**Revisions**

Issue	Date	Note
1	17/02/2022	See note GTXPDC/420

**ASSEMBLY INSTRUCTIONS**

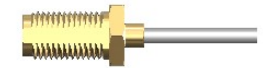
**Assembly Instructions**

1) Strip the cable to the dimensions as shown, taking care not to nick the centre core.

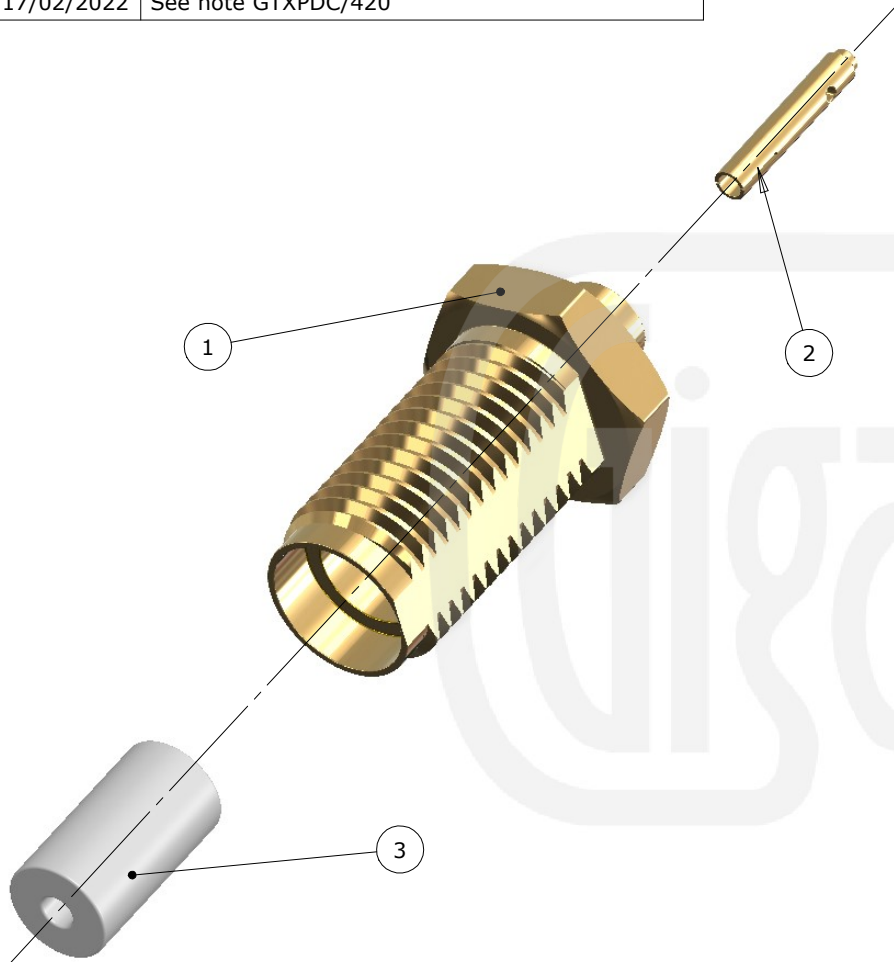
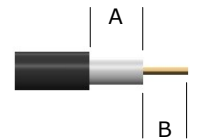


2) Solder the contact onto the centre core, then screw the body fully into an SMA Jack Gauge. Slide the contact into the back of the body until it meets the gauge and solder the cable to the mandril.

3) Fit the insulator into the front of the body using an SMA Insertion Tool.



**Strip Dimensions:**  
A=0.0mm, B=2.5mm



Description	Material	Finish
3 Dielectric	PTFE	White
2 Contact	Beryllium Copper	Gold
1 Body	Brass	Gold

Unless otherwise specified tolerances  
 0.5-5 = ±0.2  
 >5-30 = ±0.4  
 >30-120 = ±0.6  
 >120-315 = ±1.0  
 >315-1000 = ±1.6  
 Angles = ±5°  
 Units = mm

This document is the confidential property of Gigatronix Limited and may not be copied, reproduced or transmitted to any third party without written authorisation.



<b>Author</b>	PJP
<b>Drawn by</b>	PJP
<b>Drawing date</b>	17/02/2022
<b>Checked by</b>	CBB
<b>Checked date</b>	18/02/2022
<b>Scale</b>	Not to scale

<b>Part Number</b>	MA10-0405-R01
<b>Title:</b>	SMA Solder Jack, Gold Plated, RG405, .085 semi-rigid