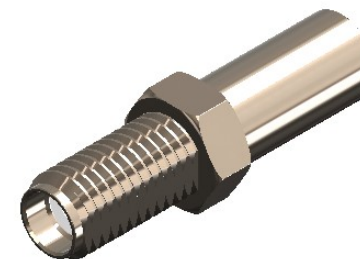


Revisions

Issue	Date	Note
1	15/10/2021	See GTXPDC/329



1. Mechanical

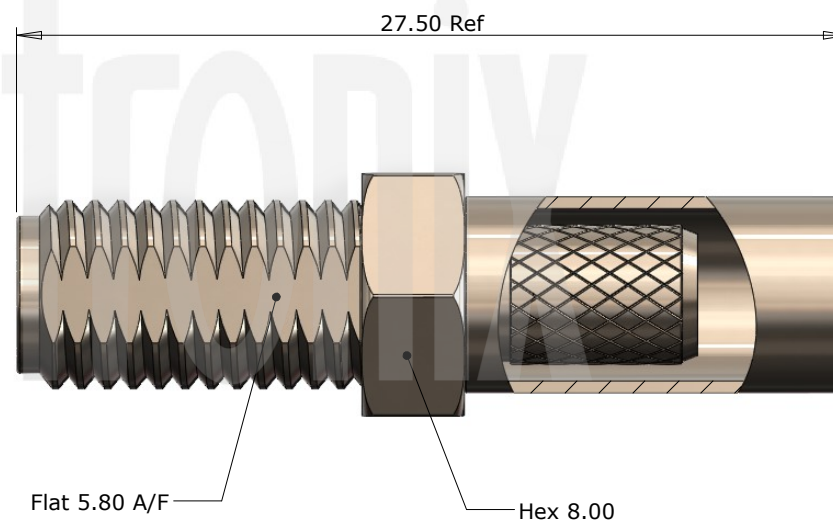
Cable Retention Equal to breaking strain of cable
 Durability 500 mating cycles

2. Environmental

RoHS Compliant Yes
 Temperature Range -65 to +165 degrees C

3. Electrical

Dielectric Withstanding 1000 Volts RMS Maximum
 Impedance 50 ohms
 Interface Frequency 12.4 GHz
 Working Voltage 500 Volts RMS Maximum



4	Ferrule	Brass	Nickel
3	Dielectric	PTFE	White
2	Contact	Beryllium Copper	Gold
1	Body	Brass	Nickel
	Description	Material	Finish

Unless otherwise specified tolerances
 0.5-5 = ±0.2
 >5-30 = ±0.4
 >30-120 = ±0.6
 >120-315 = ±1.0
 >315-1000 = ±1.6
 Angles = ±5°
 Units = mm

This document is the confidential property of Gigatronix Limited and may not be copied, reproduced or transmitted to any third party without written authorisation.



Author	PJP
Drawn by	PJP
Drawing date	15/10/2021
Checked by	DB
Checked date	11/11/2021
Scale	Not to scale

Part Number MA10-0400-C06
Title: SMA Crimp Jack, Nickel Plated, RG142, RG223, RG400

Revisions

Issue	Date	Note
1	15/10/2021	See GTXPDC/329

ASSEMBLY INSTRUCTIONS

Assembly Instructions

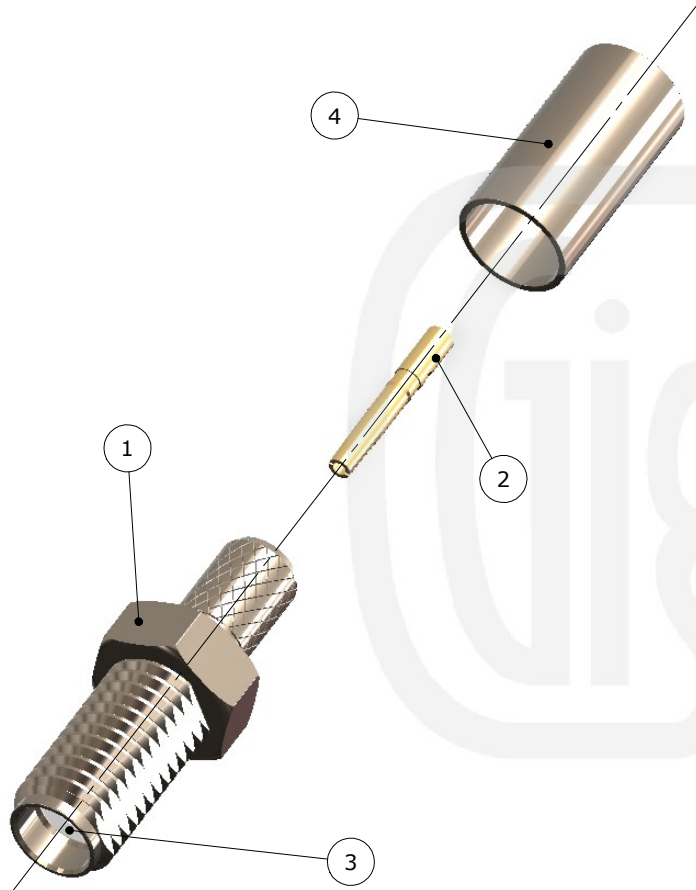
1) Slide the ferrule onto the cable and strip the cable to the dimensions as shown, taking care not to nick the centre conductor or braid



2) Solder the contact onto the centre core and then slide the contact into the body, ensuring that the cable braid is on the outside of the connector mandril and that the contact is located in accordance with MIL-C-39012 interface dimensional requirements.

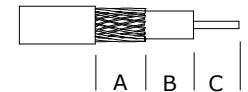


3) Slide the ferrule forward and crimp



Crimp Hex. Sizes:
5.41mm Hex, Solder centre core

Strip Dimensions:
A=8.0mm, B=2.5mm, C=2.5mm



Description	Material	Finish
4 Ferrule	Brass	Nickel
3 Dielectric	PTFE	White
2 Contact	Beryllium Copper	Gold
1 Body	Brass	Nickel

Unless otherwise specified tolerances
 0.5-5 = ±0.2
 >5-30 = ±0.4
 >30-120 = ±0.6
 >120-315 = ±1.0
 >315-1000 = ±1.6
 Angles = ±5°
 Units = mm

This document is the confidential property of Gigatronix Limited and may not be copied, reproduced or transmitted to any third party without written authorisation.



Author	PJP
Drawn by	PJP
Drawing date	15/10/2021
Checked by	DB
Checked date	11/11/2021
Scale	Not to scale

Part Number MA10-0400-C06

Title: SMA Crimp Jack, Nickel Plated, RG142, RG223, RG400