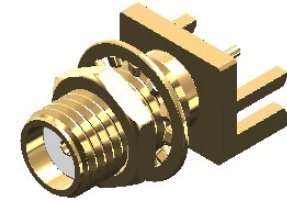


Revisions

Issue	Date	Note
2	01/12/2021	See GTXPDC/359 - checked DB 01/12/2021

DATASHEET



1. Mechanical

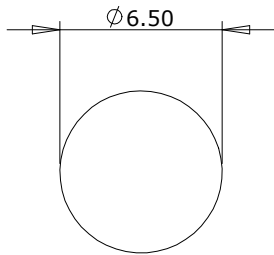
Durability 500 mating cycles
 Lock Nut Torque 0.9 - 1.1Nm (8-10 in-lbs)

2. Environmental

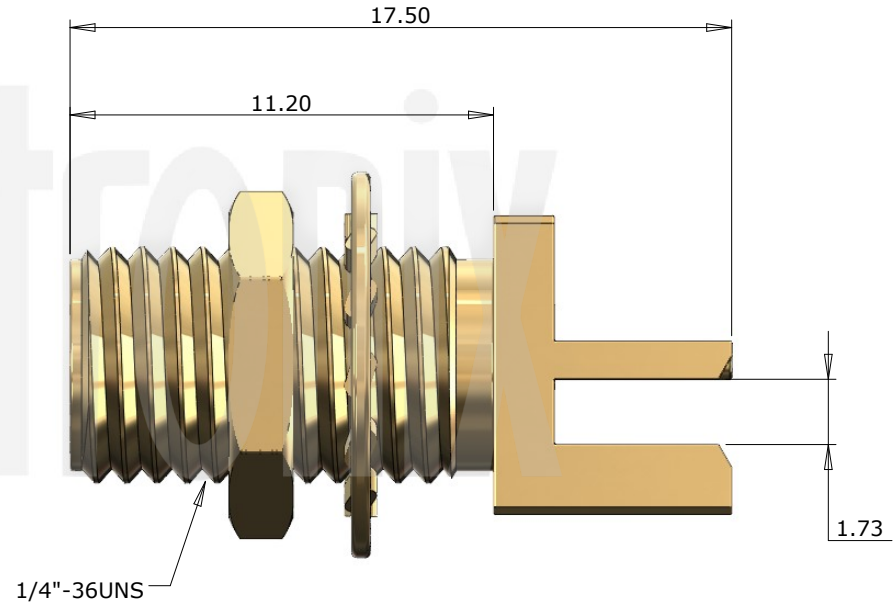
RoHS Compliant Yes
 Temperature Range -65 to +165 degrees C

3. Electrical

Dielectric Withstanding 1000 Volts RMS Maximum
 Impedance 50 ohms
 Interface Frequency 12.4 GHz
 Working Voltage 500 Volts RMS Maximum



Panel Cut Out



Unless otherwise specified tolerances
 0.5-5 = ±0.2
 >5-30 = ±0.4
 >30-120 = ±0.6
 >120-315 = ±1.0
 >315-1000 = ±1.6
 Angles = ±5°
 Units = mm

This document is the confidential property of Gigatronix Limited and may not be copied, reproduced or transmitted to any third party without written authorisation.



Author	PJP
Drawn by	PJP
Drawing date	30/10/2015
Checked by	DJB
Checked date	30/10/2015
Scale	Not to scale

Part Number MA02-X800-N01-3

Title: SMA End Launch Bulkhead Jack, Gold Plated, 9.50mm x 7.90mm Flange, 1.57mm PCB

Description	Material	Finish
5 Washer	Brass	Gold
4 Nut	Brass	Gold
3 Dielectric	PTFE	White
2 Contact	Beryllium Copper	Gold
1 Body	Brass	Gold