

**Revisions**

Issue	Date	Note
2	30/11/2021	See note GTXPDC/357 - checked DB 30/11/2021

**DATASHEET**



**1. Mechanical**

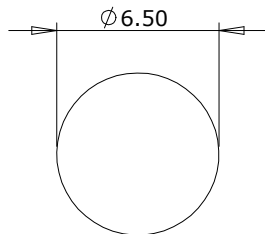
Durability 500 mating cycles  
 Lock Nut Torque 0.9 - 1.1Nm (8-10 in-lbs)

**2. Environmental**

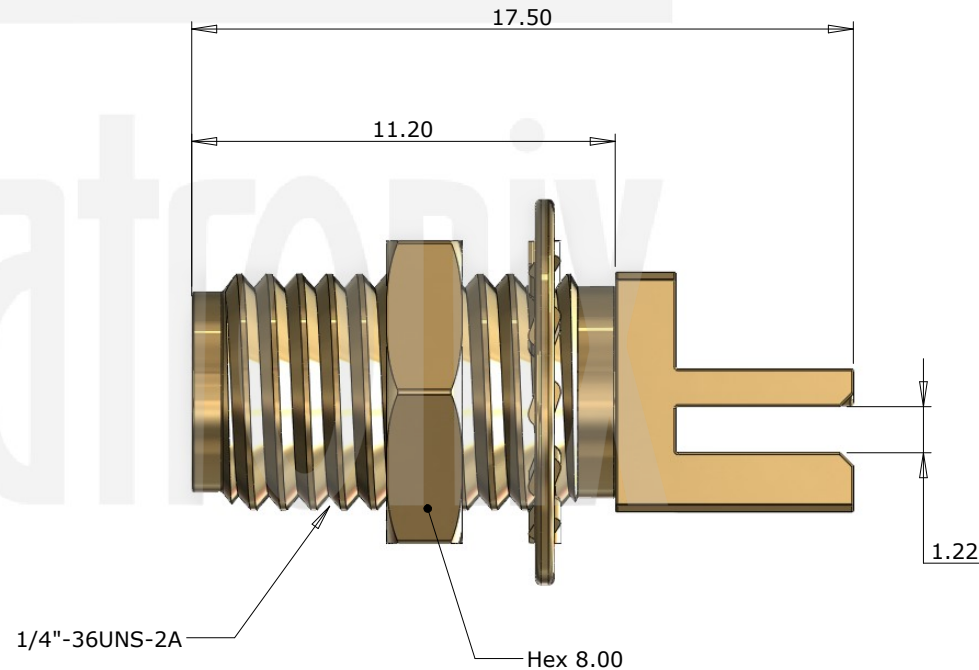
RoHS Compliant Yes  
 Temperature Range -65 to +165 degrees C

**3. Electrical**

Dielectric Withstanding 1000 Volts RMS Maximum  
 Impedance 50 ohms  
 Interface Frequency 12.4 GHz  
 Working Voltage 500 Volts RMS Maximum



Panel Cut Out



7			
6			
5	Washer	Brass	Gold
4	Locknut	Brass	Gold
3	Dielectric	PTFE	White
2	Contact	Beryllium Copper	Gold
1	Body	Brass	Gold
	<b>Description</b>	<b>Material</b>	<b>Finish</b>

Unless otherwise specified tolerances  
 0.5-6 = ±0.2  
 >6-30 = ±0.4  
 >30-120 = ±0.6  
 >120-315 = ±1.0  
 >315-1000 = ±1.6  
 Angles = ±5°  
 Units = mm

This document is the confidential property of Gigatronix Limited and may not be copied, reproduced or transmitted to any third party without written authorisation.



<b>Author</b>	PJP
<b>Drawn by</b>	PJP
<b>Drawing date</b>	11/12/2013
<b>Checked by</b>	TM
<b>Checked date</b>	11/12/2013
<b>Scale</b>	Not to scale

<b>Part Number</b>	MA02-X800-N01-1
<b>Title:</b>	SMA End Launch Bulkhead Jack, Gold Plated, 6.35mm x 6.35mm Flange, 1.07mm PCB