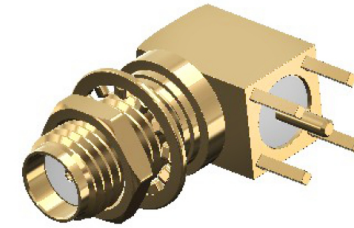


Revisions

Issue	Date	Note
1	07/12/2021	See note GTXPDC/367

DATASHEET



1. Mechanical

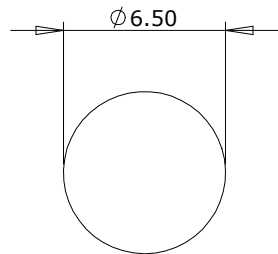
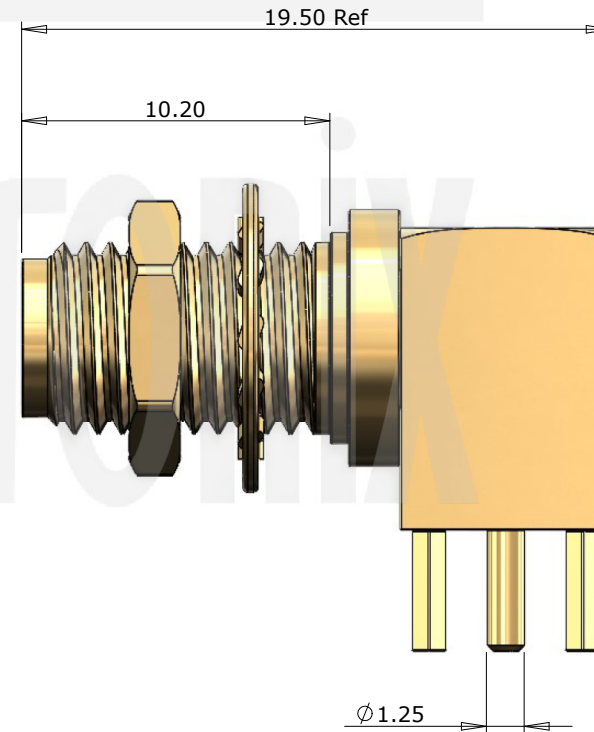
Durability	500 mating cycles
Lock Nut Torque	0.9 - 1.1Nm (8-10 in-lbs)
Fixing Method	PCB

2. Environmental

RoHS Compliant	Yes
Temperature Range	-65 to +165 degrees C

3. Electrical

Dielectric Withstanding	1000 Volts RMS Maximum
Impedance	50 ohms
Interface Frequency	12.4 GHz
Working Voltage	500 Volts RMS Maximum



Panel Cut Out

Description	Material	Finish
5 Washer	Brass	Gold
4 Lock Nut	Brass	Gold
3 Dielectric	PTFE	White
2 Contact	Beryllium Copper	Gold
1 Body	Brass	Gold

Unless otherwise specified tolerances
 0.5-5 = ±0.2
 >5-30 = ±0.4
 >30-120 = ±0.6
 >120-315 = ±1.0
 >315-1000 = ±1.6
 Angles = ±5°
 Units = mm

This document is the confidential property of Gigatronix Limited and may not be copied, reproduced or transmitted to any third party without written authorisation.



Author	PJP
Drawn by	PJP
Drawing date	07/12/2021
Checked by	DB
Checked date	07/12/2021
Scale	Not to scale

Part Number MA02-X170-N01

Title: SMA Right Angle PCB Mount Jack, Bulkhead Fixing, Gold Plated