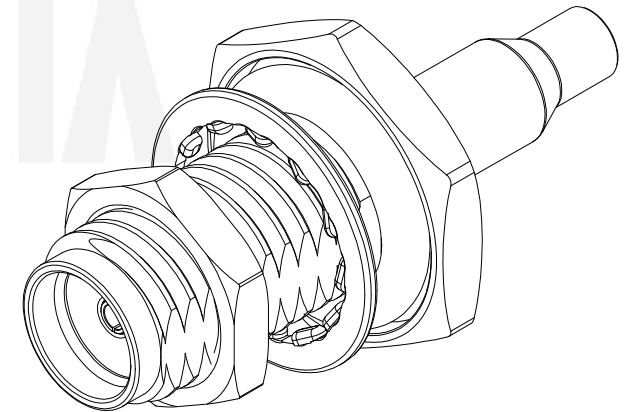
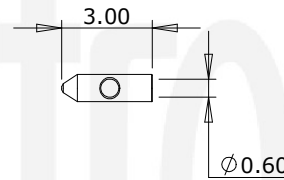
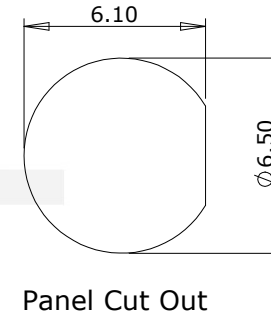
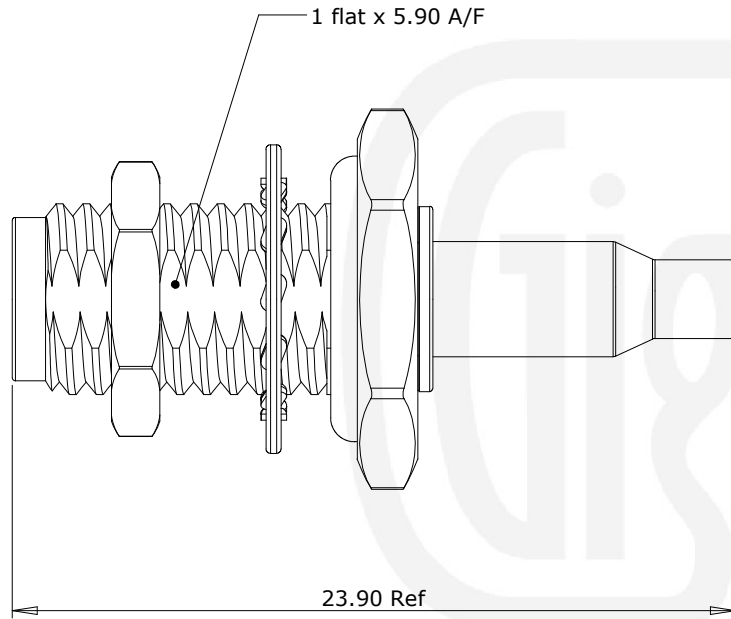


Revisions

Issue	Date	Note
1	27/01/2021	See note GTXPDC/252

SUMMARY VIEW



10	Tube	Brass	Nickel
9	Insulator	PTFE	White
8	Dielectric	PTFE	White
7	Pin	Brass	Gold
6	O Ring	Silicone	Black
5	Washer	Stainless Steel	Passivated
4	Locknut	Stainless Steel	Passivated
3	Ferrule	Brass	Nickel
2	Contact	Beryllium Copper	Gold
1	Body	Stainless Steel	Passivated
	Description	Material	Finish

Unless otherwise specified tolerances
 0.5-5 = ±0.2
 >5-30 = ±0.4
 >30-120 = ±0.6
 >120-315 = ±1.0
 >315-1000 = ±1.6
 Angles = ±5°
 Units = mm

This document is the confidential property of Gigatronix Limited and may not be copied, reproduced or transmitted to any third party without written authorisation.



Author	PJP
Drawn by	PJP
Drawing date	27/01/2021
Checked by	DB
Checked date	28/01/2021
Scale	4 : 1

Part Number MA02-0178-C04WP
Title: SMA Waterproof Crimp Bulkhead Jack, IP68, Passivated Stainless Steel, RG178