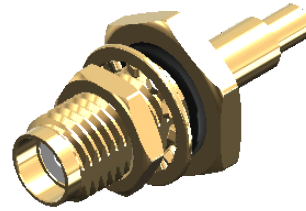


**Revisions**

Issue	Date	Note
2	21/10/2023	See GTXPDC/674 - checked DB 21/10/2023



**1. Mechanical**

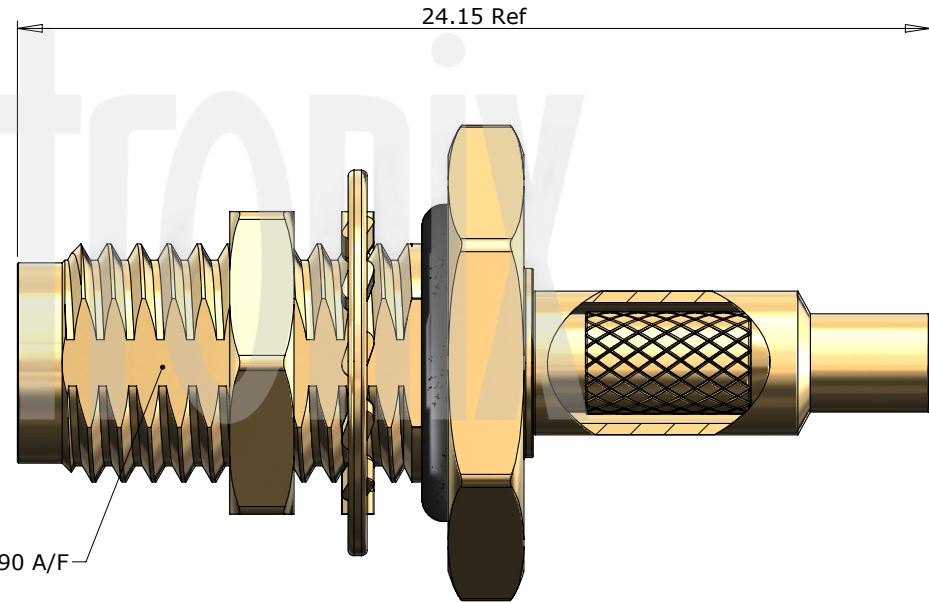
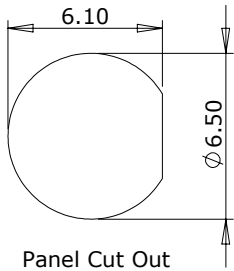
Cable Retention	Equal to breaking strain of cable
Durability	500 mating cycles
Lock Nut Torque	0.9 to 1.1Nm / 8-10 in-lbs
Contact Termination	Solder

**2. Environmental**

RoHS Compliant	Yes
Temperature Range	-65 to +165 degrees C

**3. Electrical**

Dielectric Withstanding	750 Volts RMS Maximum
Impedance	50 ohms
Interface Frequency	12.4 GHz
Working Voltage	335 Volts RMS Maximum



10	Tube	Brass	Nickel
9	Insulator	PTFE	White
8	Lock Nut	Brass	Gold
7	Washer	Phosphor Bronze	Gold
6	O Ring	Silicone	Black
5	Ferrule	Brass	Gold
4	Dielectric	PTFE	White
3	Pin	Brass	Gold
2	Contact	Beryllium Copper	Gold
1	Body	Brass	Gold
	<b>Description</b>	<b>Material</b>	<b>Finish</b>

Unless otherwise specified tolerances  
 0.5-5 = ±0.2  
 >5-30 = ±0.4  
 >30-120 = ±0.6  
 >120-315 = ±1.0  
 >315-1000 = ±1.6  
 Angles = ±5°  
 Units = mm

This document is the confidential property of Gigatronix Limited and may not be copied, reproduced or transmitted to any third party without written authorisation.

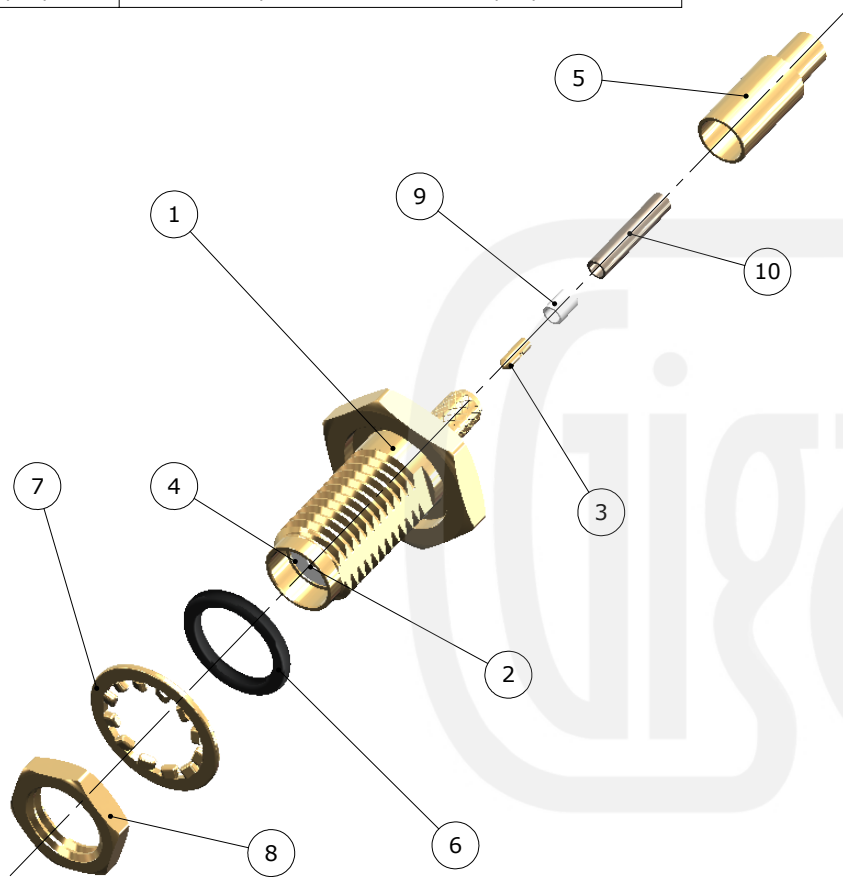


<b>Author</b>	PJP
<b>Drawn by</b>	PJP
<b>Drawing date</b>	29/01/2018
<b>Checked by</b>	TM
<b>Checked date</b>	31/01/2018
<b>Scale</b>	Not to scale

**Part Number** MA02-0178-C01WP  
**Title:** SMA Waterproof Crimp Bulkhead Jack, IP68, Gold Plated, 11mm Hex Flange, RG178

Revisions		
Issue	Date	Note
2	21/10/2023	See GTXPCD/674 - checked DB 21/10/2023

# ASSEMBLY INSTRUCTIONS



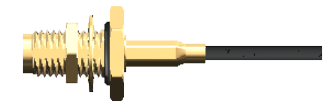
## Assembly Instructions:

1) Slide the ferrule onto the cable and strip the cable to the dimensions as shown, taking care not to nick the centre conductor or braid



2) Slide the tube onto the cable and under the braid, then slide the insulator onto the cable. Solder the pin onto the centre conductor and slide the pin into the body, ensuring that the cable braid is on the outside of the connector mandril and that the centre pin is captivated.

3) Slide the ferrule forward and crimp



**Crimp Die Sizes:**  
3.25mm Hex., Solder Centre Core

**Strip Dimensions:**  
A=9.0mm, B=1.0mm, C=2.5mm



10	Tube	Brass	Nickel
9	Insulator	PTFE	White
8	Lock Nut	Brass	Gold
7	Washer	Phosphor Bronze	Gold
6	O Ring	Silicone	Black
5	Ferrule	Brass	Gold
4	Dielectric	PTFE	White
3	Pin	Brass	Gold
2	Contact	Beryllium Copper	Gold
1	Body	Brass	Gold
	<b>Description</b>	<b>Material</b>	<b>Finish</b>

Unless otherwise specified tolerances  
 0.5-5 = ±0.2  
 >5-30 = ±0.4  
 >30-120 = ±0.6  
 >120-315 = ±1.0  
 >315-1000 = ±1.6  
 Angles = ±5°  
 Units = mm

This document is the confidential property of Gigatronix Limited and may not be copied, reproduced or transmitted to any third party without written authorisation.

# Gigatronix

<b>Author</b>	PJP
<b>Drawn by</b>	PJP
<b>Drawing date</b>	29/01/2018
<b>Checked by</b>	TM
<b>Checked date</b>	31/01/2018
<b>Scale</b>	Not to scale

**Part Number** MA02-0178-C01WP

**Title:** SMA Waterproof Crimp Bulkhead Jack, IP68, Gold Plated, 11mm Hex Flange, RG178