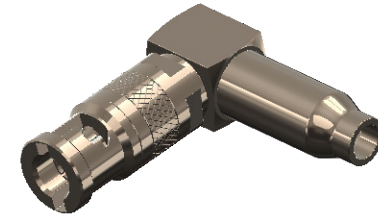


Revisions

Issue	Date	Note
2	06/09/2024	See GTXPDC/997

DATASHEET



1. Mechanical

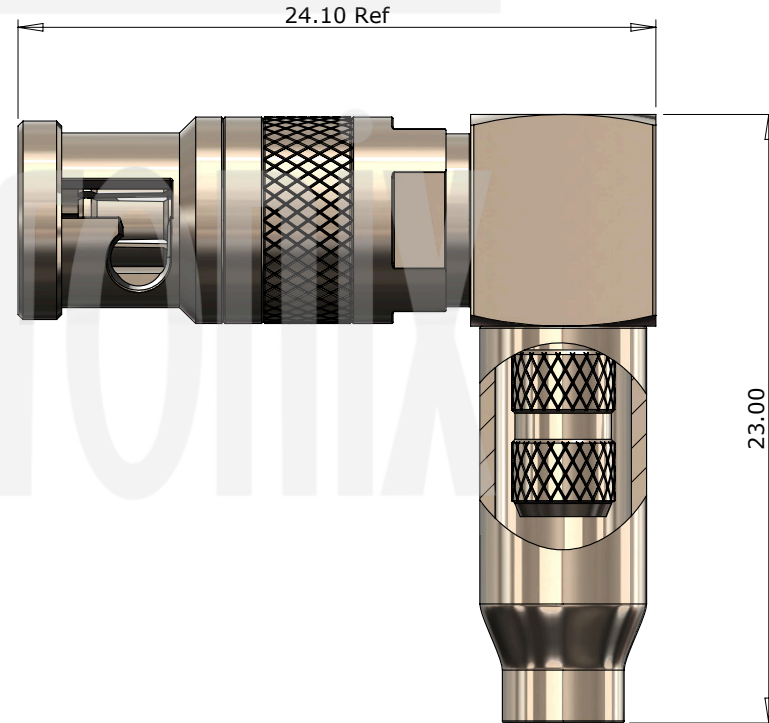
Fixing Method	Crimp
Durability	500 mating cycles
Cable Retention	Equal to breaking strain of cable

2. Environmental

RoHS Compliant	Yes
Temperature Range	-65 to +165 degrees C

3. Electrical

Dielectric Withstanding	500 Volts RMS Maximum
Impedance	75 ohms
Interface Frequency	12 GHz
Working Voltage	500 Volts RMS Maximum



8	Tube	Brass	Nickel
7	Insulator	PTFE	White
6	End Cap	Brass	Nickel
5	Dielectric	PTFE	White
4	Ferrule	Brass	Nickel
3	Coupling Nut	Brass	Nickel
2	Pin	Beryllium Copper	Gold
1	Body	Brass	Nickel
	Description	Material	Finish

Unless otherwise specified tolerances
 0.5-5 = ±0.2
 >5-30 = ±0.4
 >30-120 = ±0.6
 >120-315 = ±1.0
 >315-1000 = ±1.6
 Angles = ±5°
 Units = mm

This document is the confidential property of Gigatronix Limited and may not be copied, reproduced or transmitted to any third party without written authorisation.

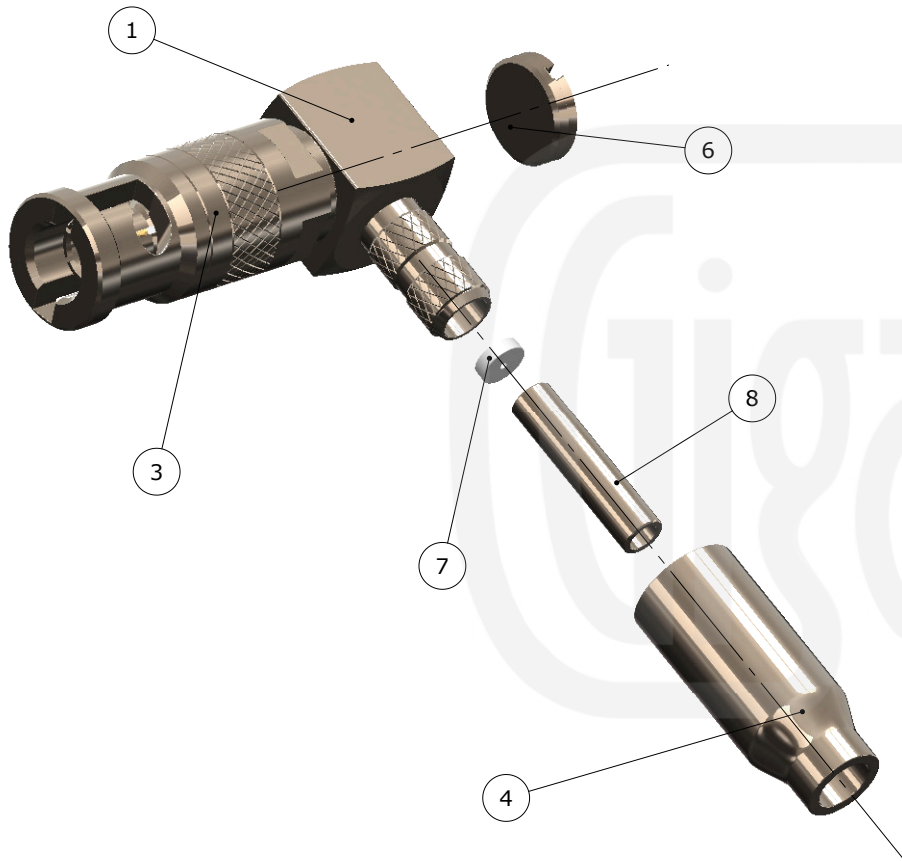


Author	PJP
Drawn by	PJP
Drawing date	01/09/2022
Checked by	SM
Checked date	02/09/2022
Scale	Not to scale

Part Number	HD17-0179-C06-1-Z
Title: HD BNC 12G SDI Crimp Right Angle Plug, Belden RG179DT, RG179B/U	

Revisions

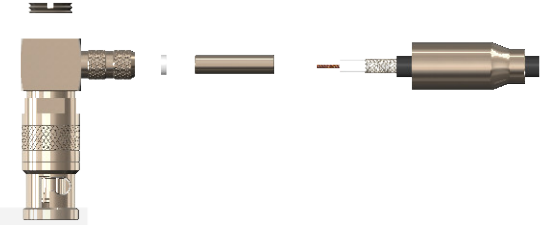
Issue	Date	Note
2	06/09/2024	See GTXPCD/997



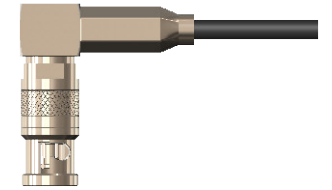
ASSEMBLY INSTRUCTIONS

Assembly Instructions

1) Slide the ferrule onto the cable and strip the cable to the dimensions as shown, taking care not to nick the centre conductor or braid.



2) Open the cable braid and slide the tube over the dielectric and under the braid. Insert the centre core into the insulator then slide the cable into the body, ensuring that the cable braid is on the outside of the connector mandril and that the centre core locates in the internal mounting post.



3) Slide the ferrule forward and crimp. Solder the centre core of the cable to the mounting post and screw in the end cap.

Crimp Die Sizes:
5.41mm Hex., Solder Centre Core

Strip Dimensions:
A=9.0mm, B=3.0mm, C=2.0mm



8	Tube	Brass	Nickel
7	Insulator	PTFE	White
6	End Cap	Brass	Nickel
5	Dielectric	PTFE	White
4	Ferrule	Brass	Nickel
3	Coupling Nut	Brass	Nickel
2	Pin	Beryllium Copper	Gold
1	Body	Brass	Nickel
	Description	Material	Finish

Unless otherwise specified tolerances
 0.5-5 = ±0.2
 >5-30 = ±0.4
 >30-120 = ±0.6
 >120-315 = ±1.0
 >315-1000 = ±1.6
 Angles = ±5°
 Units = mm

This document is the confidential property of Gigatronix Limited and may not be copied, reproduced or transmitted to any third party without written authorisation.



Author	PJP
Drawn by	PJP
Drawing date	01/09/2022
Checked by	SM
Checked date	02/09/2022
Scale	Not to scale
Part Number	HD17-0179-C06-1-Z
Title:	HD BNC 12G SDI Crimp Right Angle Plug, Belden RG179DT, RG179B/U