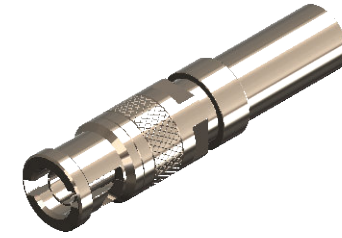


Revisions

Issue	Date	Note
3	11/12/2023	See GTXPC/888

DATASHEET



1. Mechanical

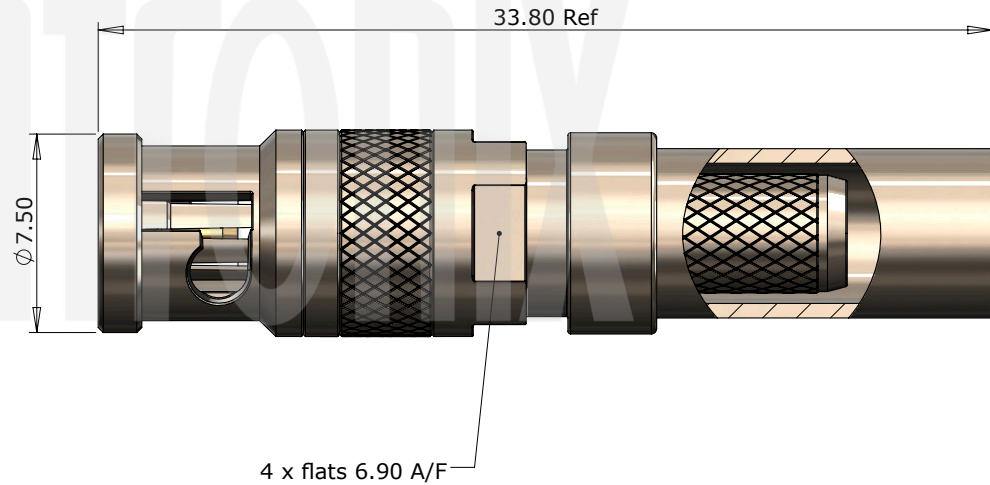
Cable Retention	Equal to breaking strain of cable
Durability	500 mating cycles
Fixing Method	Crimp

2. Environmental

RoHS Compliant	Yes
Temperature Range	-65 to +165 degrees C

3. Electrical

Dielectric Withstanding	500 Volts RMS Maximum
Impedance	75 ohms
Interface Frequency	12 GHz
Working Voltage	500 Volts RMS Maximum



Description	Material	Finish
5 Dielectric	PTFE	White
4 Ferrule	Brass	Nickel
3 Coupling Nut	Brass	Nickel
2 Pin	Beryllium Copper	Gold
1 Body	Brass	Nickel

Unless otherwise specified tolerances
 0.5-5 = ±0.2
 >5-30 = ±0.4
 >30-120 = ±0.6
 >120-315 = ±1.0
 >315-1000 = ±1.6
 Angles = ±5°
 Units = mm

This document is the confidential property of Gigatronix Limited and may not be copied, reproduced or transmitted to any third party without written authorisation.



Author	PJP
Drawn by	PJP
Drawing date	25/07/2017
Checked by	DB
Checked date	28/09/2017
Scale	Not to scale

Part Number HD15-0628-C06-Z
Title: HDBNC 12G SDI Crimp Plug, Belden 1855A, Belden 4855R, Belden 1855ENH, Image 360

Revisions		
Issue	Date	Note
3	11/12/2023	See GTXPDC/888

ASSEMBLY INSTRUCTIONS

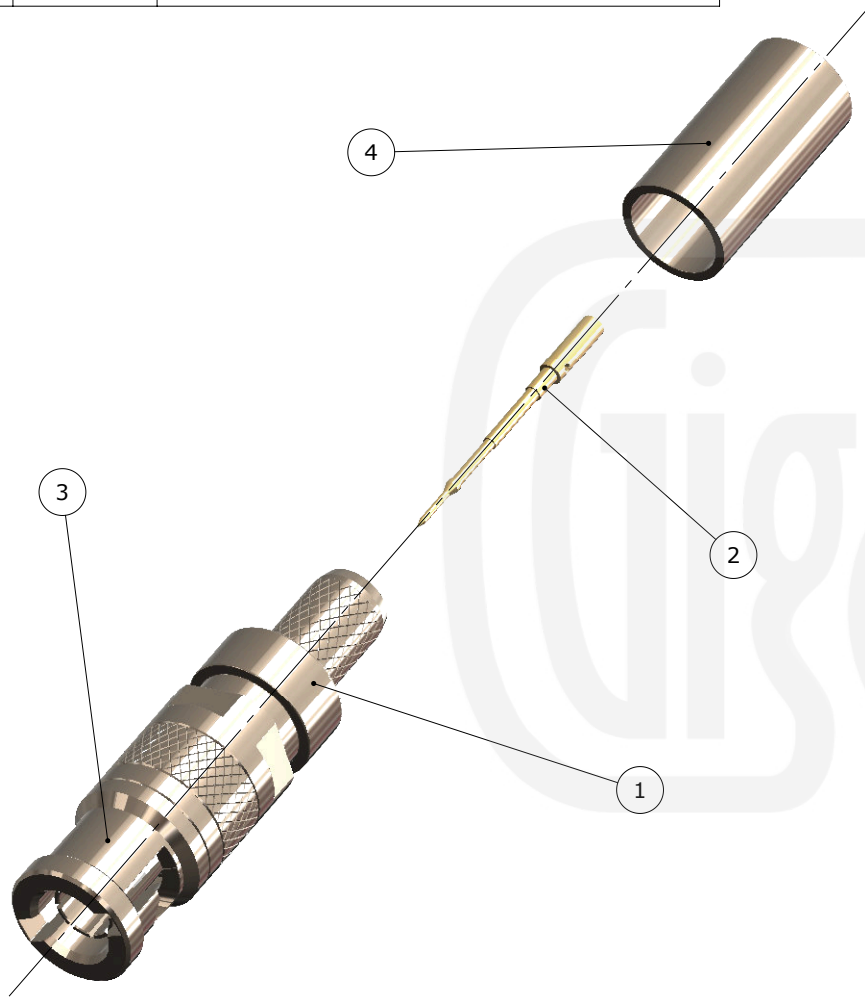
Assembly Instructions

1) Slide the ferrule onto the cable and strip the cable to the dimensions as shown, taking care not to nick the centre conductor or braid.



2) Crimp the pin onto the centre core and slide the pin into the body until it captivates, ensuring that the cable braid is on the outside of the connector mandril.

3) Slide the ferrule forward and crimp.



Crimp Hex. Sizes:
5.41mm Hex, 1.07mm Sq.

Strip Dimensions:
A=7.5mm, B=2.1mm, C=4.0mm



Description	Material	Finish
5 Dielectric	PTFE	White
4 Ferrule	Brass	Nickel
3 Coupling Nut	Brass	Nickel
2 Pin	Beryllium Copper	Gold
1 Body	Brass	Nickel

Unless otherwise specified tolerances
0.5-5 = ±0.2
>5-30 = ±0.4
>30-120 = ±0.6
>120-315 = ±1.0
>315-1000 = ±1.6
Angles = ±5°
Units = mm

This document is the confidential property of Gigatronix Limited and may not be copied, reproduced or transmitted to any third party without written authorisation.



Author	PJP
Drawn by	PJP
Drawing date	25/07/2017
Checked by	DB
Checked date	28/09/2017
Scale	Not to scale

Part Number HD15-0628-C06-Z
Title: HDBNC 12G SDI Crimp Plug, Belden 1855A, Belden 4855R, Belden 1855ENH, Image 360