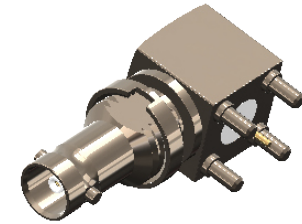


Revisions

Issue	Date	Note
2	22/08/2022	See GTXPCD/573 - checked DB 22/08/2022

DATASHEET



1. Mechanical

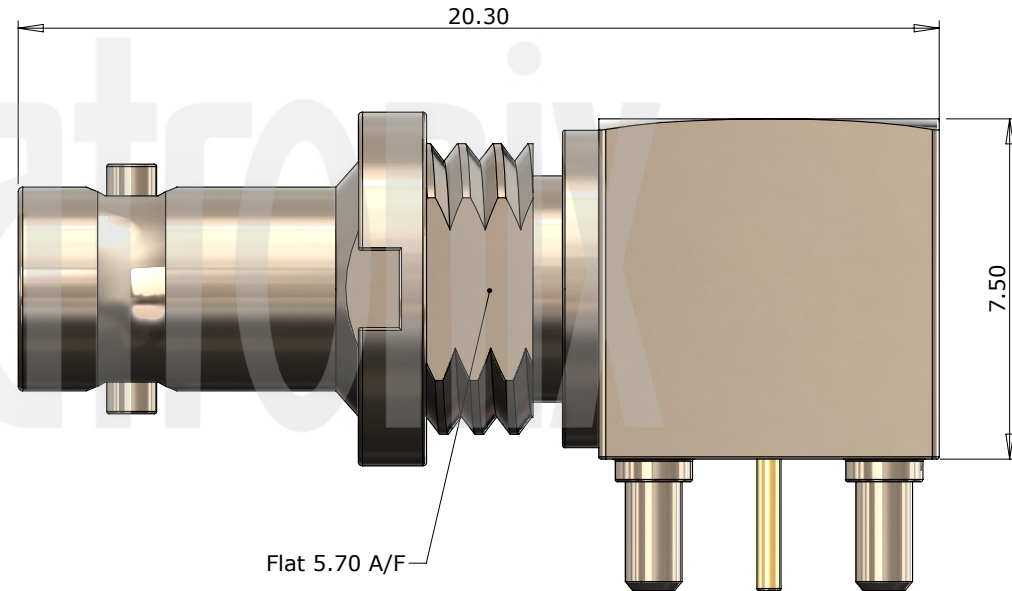
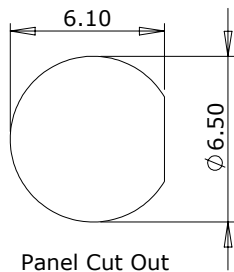
Fixing Method	PCB
Durability	500 mating cycles
Lock Nut Torque	1.1 Nm (9.7 in-lbs)

2. Environmental

RoHS Compliant	Yes
Temperature Range	-65 to +165 degrees C

3. Electrical

Dielectric Withstanding	500 Volts RMS Maximum
Impedance	75 ohms
Interface Frequency	12 GHz
Working Voltage	500 Volts RMS Maximum



Description	Material	Finish
4 Nut	Brass	Nickel
3 Dielectric	PTFE	White
2 Contact	Beryllium Copper	Gold
1 Body	Brass	Nickel

Unless otherwise specified tolerances
 0.5-5 = ±0.2
 >5-30 = ±0.4
 >30-120 = ±0.6
 >120-315 = ±1.0
 >315-1000 = ±1.6
 Angles = ±5°
 Units = mm

This document is the confidential property of Gigatronix Limited and may not be copied, reproduced or transmitted to any third party without written authorisation.

Part Number HD02-X600-N06-Z

Title: HD BNC 12G SDI Right Angle PCB Mount Bulkhead Jack, Nickel Plated, PTFE Dielectric, 75 ohms

Author	PJP
Drawn by	PJP
Drawing date	02/08/2018
Checked by	DB
Checked date	02/08/2018
Scale	Not to scale