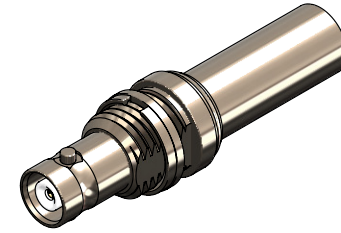


**Revisions**

Issue	Date	Note
2	09/10/2023	See GTXPDC/839

**DATASHEET**



**1. Mechanical**

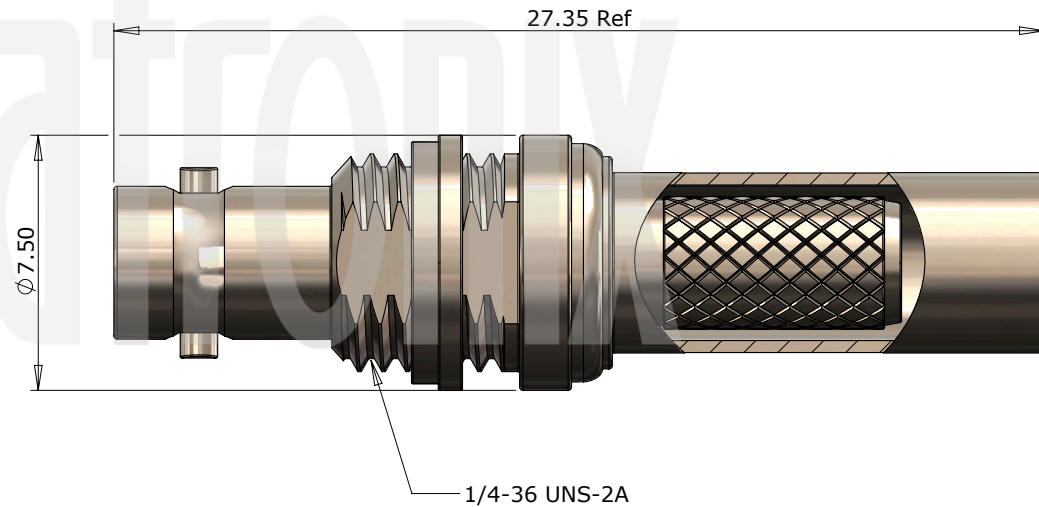
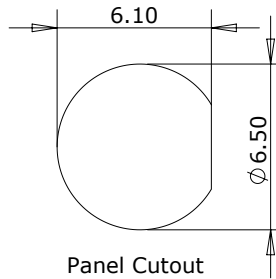
Cable Retention Equal to breaking strain of cable  
 Durability 500 mating cycles

**2. Environmental**

RoHS Compliant Yes  
 Temperature Range -65 to +165 degrees C

**3. Electrical**

Dielectric Withstanding 500 Volts RMS Maximum  
 Impedance 75 ohms  
 Interface Frequency 12 GHz  
 Working Voltage 500 Volts RMS Maximum



5	Lock Nut	Brass	Nickel
4	Ferrule	Brass	Nickel
3	Dielectric	PTFE	White
2	Contact	Beryllium Copper	Gold
1	Body	Brass	Nickel
	<b>Description</b>	<b>Material</b>	<b>Finish</b>

Unless otherwise specified tolerances  
 0.5-5 = ±0.2  
 >5-30 = ±0.4  
 >30-120 = ±0.6  
 >120-315 = ±1.0  
 >315-1000 = ±1.6  
 Angles = ±5°  
 Units = mm

This document is the confidential property of Gigatronix Limited and may not be copied, reproduced or transmitted to any third party without written authorisation.



<b>Author</b>	PJP
<b>Drawn by</b>	PJP
<b>Drawing date</b>	03/11/2021
<b>Checked by</b>	DB
<b>Checked date</b>	03/11/2021
<b>Scale</b>	Not to scale

**Part Number** HD02-4855-C06-Z  
**Title:** HD BNC 12G SDI Crimp Bulkhead Jack, Nickel Plated, Belden 1855A, 4855R

**Revisions**

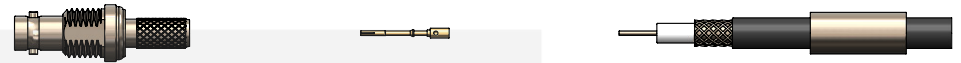
Issue	Date	Note
2	09/10/2023	See GTXPDC/839

**ASSEMBLY INSTRUCTIONS**



**Assembly Instructions**

1) Slide the ferrule onto the cable and strip the cable to the dimensions as shown, taking care not to nick the centre conductor or braid



2) Crimp the contact onto the centre core and then slide the contact into the body, ensuring that the cable braid is on the outside of the connector mandril and that the contact is fully captivated

3) Slide the ferrule forward and crimp



**Crimp Hex. Sizes:**  
4.52mm Hex, 1.07mm Sq.

**Strip Dimensions:**  
A=8.7mm, B=2.1mm, C=2.8mm



Description	Material	Finish
5 Lock Nut	Brass	Nickel
4 Ferrule	Brass	Nickel
3 Dielectric	PTFE	White
2 Contact	Beryllium Copper	Gold
1 Body	Brass	Nickel

Unless otherwise specified tolerances  
 0.5-5 = ±0.2  
 >5-30 = ±0.4  
 >30-120 = ±0.6  
 >120-315 = ±1.0  
 >315-1000 = ±1.6  
 Angles = ±5°  
 Units = mm

This document is the confidential property of Gigatronix Limited and may not be copied, reproduced or transmitted to any third party without written authorisation.



<b>Author</b>	PJP
<b>Drawn by</b>	PJP
<b>Drawing date</b>	03/11/2021
<b>Checked by</b>	DB
<b>Checked date</b>	03/11/2021
<b>Scale</b>	Not to scale

**Part Number** HD02-4855-C06-Z  
**Title:** HD BNC 12G SDI Crimp Bulkhead Jack, Nickel Plated, Belden 1855A, 4855R