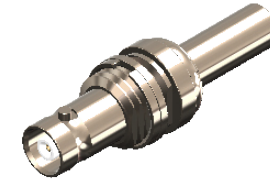


Revisions

Issue	Date	Note
2	09/08/2022	See GTXPCD/565 - Checked DB 10/08/2022

DATASHEET



1. Mechanical

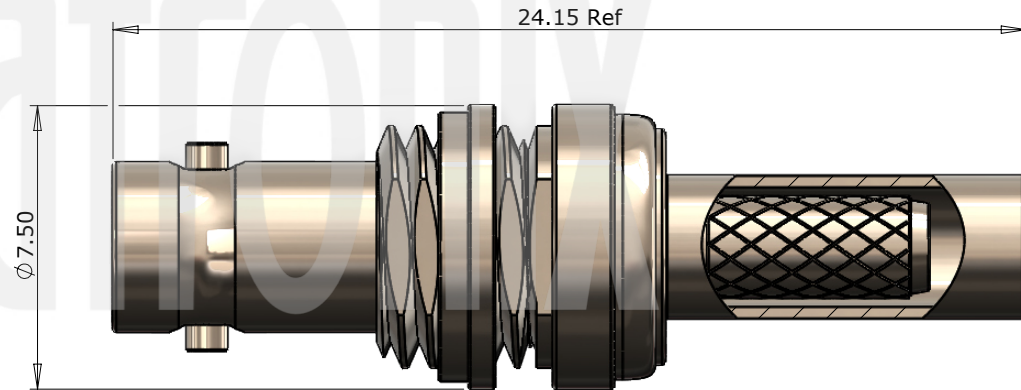
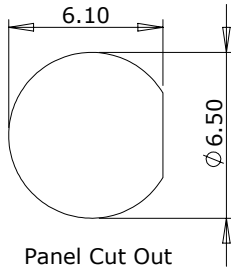
Cable Retention	Equal to breaking strain of cable
Durability	500 mating cycles
Fixing Method	Crimp

2. Environmental

RoHS Compliant	Yes
Temperature Range	-65 to +165 degrees C

3. Electrical

Dielectric Withstanding	500 Volts RMS Maximum
Impedance	75 ohms
Interface Frequency	12 GHz
Working Voltage	500 Volts RMS Maximum



Description	Material	Finish
5 Lock Nut	Brass	Nickel
4 Ferrule	Brass	Nickel
3 Dielectric	PTFE	White
2 Contact	Beryllium Copper	Gold
1 Body	Brass	Nickel

Unless otherwise specified tolerances
 0.5-5 = ±0.2
 >5-30 = ±0.4
 >30-120 = ±0.6
 >120-315 = ±1.0
 >315-1000 = ±1.6
 Angles = ±5°
 Units = mm

This document is the confidential property of Gigatronix Limited and may not be copied, reproduced or transmitted to any third party without written authorisation.



Author	PJP
Drawn by	PJP
Drawing date	16/10/2018
Checked by	DB
Checked date	16/10/2018
Scale	Not to scale

Part Number HD02-0179-C06-Z
Title: HD BNC 12G SDI Crimp Bulkhead Jack, Nickel Plated, Belden RG179DT, RG179

Revisions		
Issue	Date	Note
2	09/08/2022	See GTXPCD/565 - Checked DB 10/08/2022

ASSEMBLY INSTRUCTIONS

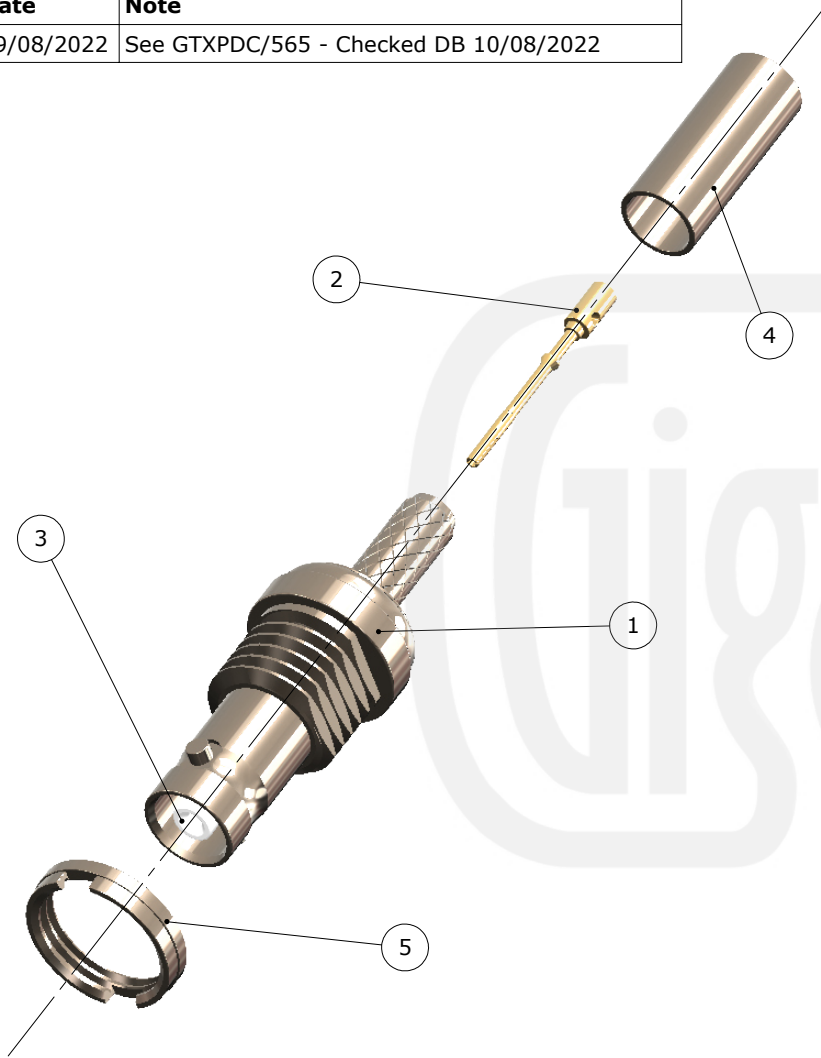
Assembly Instructions:

1) Slide the ferrule onto the cable and strip the cable to the dimensions as shown, taking care not to nick the centre conductor or braid



2) Crimp the contact onto the centre core and slide the contact into the body, ensuring that the cable braid is on the outside of the connector mandril and that the contact is fully captivated

3) Slide the ferrule forward and crimp



Crimp Die Sizes:
3.25mm Hex., 1.07mm Sq. or Hex.

Strip Dimensions:
A=7.5mm, B=2.0mm, C=3.0mm



5	Lock Nut	Brass	Nickel
4	Ferrule	Brass	Nickel
3	Dielectric	PTFE	White
2	Contact	Beryllium Copper	Gold
1	Body	Brass	Nickel
	Description	Material	Finish

Unless otherwise specified tolerances
 0.5-5 = ± 0.2
 >5-30 = ± 0.4
 >30-120 = ± 0.6
 >120-315 = ± 1.0
 >315-1000 = ± 1.6
 Angles = $\pm 5^\circ$
 Units = mm

This document is the confidential property of Gigatronix Limited and may not be copied, reproduced or transmitted to any third party without written authorisation.

Author	PJP
Drawn by	PJP
Drawing date	16/10/2018
Checked by	DB
Checked date	16/10/2018
Scale	Not to scale

Part Number HD02-0179-C06-Z

Title: HD BNC 12G SDI Crimp Bulkhead Jack, Nickel Plated, Belden RG179DT, RG179