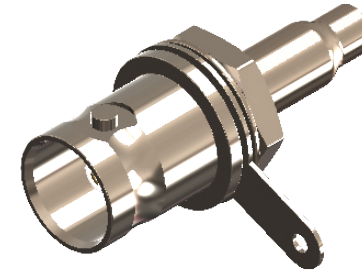


Revisions

Issue	Date	Note
1	28/07/2022	See note GTXPDC/554



1. Mechanical

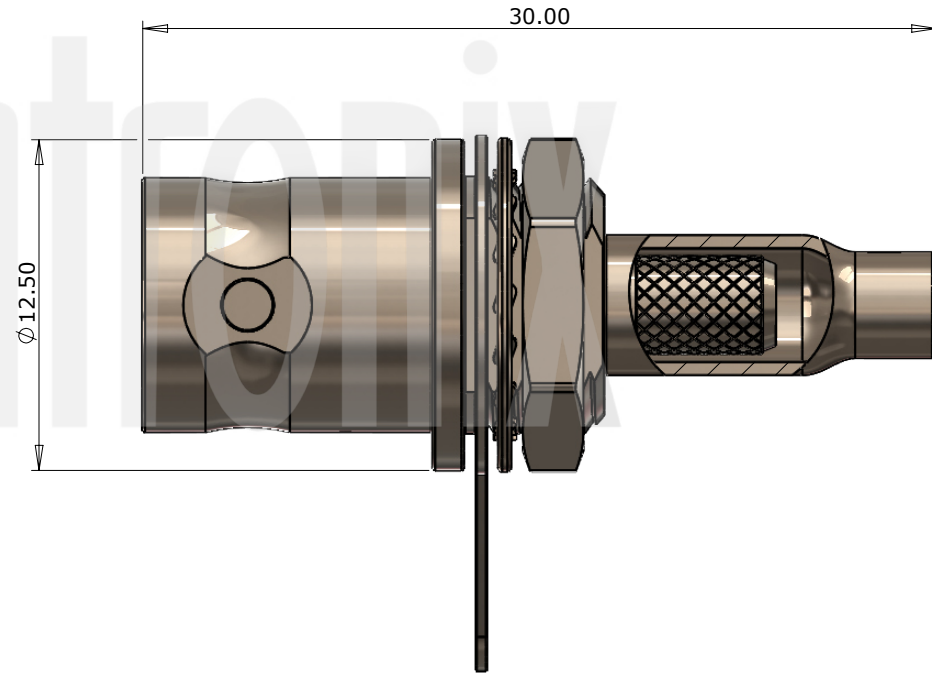
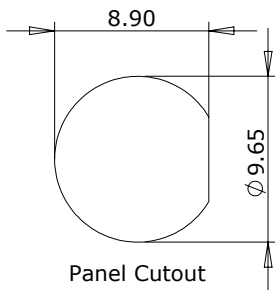
Cable Retention Equal to breaking strain of cable
 Durability 500 mating cycles

2. Environmental

RoHS Compliant Yes
 Temperature Range -65 to +165 degrees C

3. Electrical

Dielectric Withstanding 1500 Volts RMS Maximum
 Impedance 75 ohms
 Interface Frequency 1 GHz
 Working Voltage 500 Volts RMS Maximum



7	Washer	SS41	Nickel
6	Lock Nut	Brass	Nickel
5	Solder Tag	SS41	Nickel
4	Ferrule	Brass	Nickel
3	Dielectric	PTFE	White
2	Contact	Brass	Gold
1	Body	Brass	Nickel
	Description	Material	Finish

Unless otherwise specified tolerances
 0.5-5 = ±0.2
 >5-30 = ±0.4
 >30-120 = ±0.6
 >120-315 = ±1.0
 >315-1000 = ±1.6
 Angles = ±5°
 Units = mm

This document is the confidential property of Gigatronix Limited and may not be copied, reproduced or transmitted to any third party without written authorisation.



Author	PJP
Drawn by	PJP
Drawing date	28/07/2022
Checked by	DB
Checked date	02/08/2022
Scale	Not to scale

Part Number BN62-0179-C06
Title: BNC Crimp Panel Jack, Front Entry, Nickel Plated, PTFE Dielectric, RG179

Revisions

Issue	Date	Note
1	28/07/2022	See note GTXPDC/554

ASSEMBLY INSTRUCTIONS

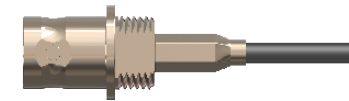
Assembly Instructions

1) Slide the ferrule onto the cable and strip the cable to the dimensions as shown, taking care not to nick the centre conductor or braid.



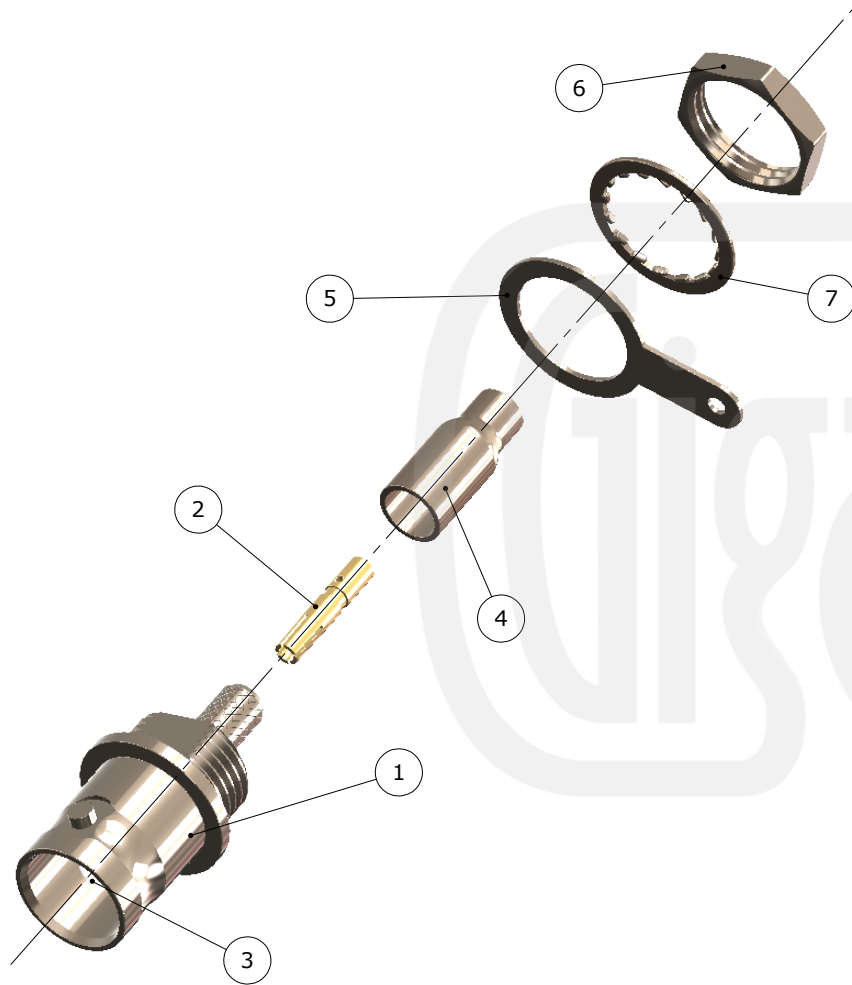
2) Crimp the contact onto the centre core and slide the contact into the body until fully located, ensuring that the cable braid is on the outside of the connector mandril.

3) Slide the ferrule forward and crimp.



Crimp Hex. Sizes:
4.52mm Hex, 1.69mm Hex.

Strip Dimensions:
A=8.0mm, B=3.0mm, C=3.0mm



7	Washer	SS41	Nickel
6	Lock Nut	Brass	Nickel
5	Solder Tag	SS41	Nickel
4	Ferrule	Brass	Nickel
3	Dielectric	PTFE	White
2	Contact	Brass	Gold
1	Body	Brass	Nickel
	Description	Material	Finish

Unless otherwise specified tolerances
 0.5-5 = ±0.2
 >5-30 = ±0.4
 >30-120 = ±0.6
 >120-315 = ±1.0
 >315-1000 = ±1.6
 Angles = ±5°
 Units = mm

This document is the confidential property of Gigatronix Limited and may not be copied, reproduced or transmitted to any third party without written authorisation.



Part Number BN62-0179-C06

Title: BNC Crimp Panel Jack, Front Entry, Nickel Plated, PTFE Dielectric, RG179

Author	PJP
Drawn by	PJP
Drawing date	28/07/2022
Checked by	DB
Checked date	02/08/2022
Scale	Not to scale