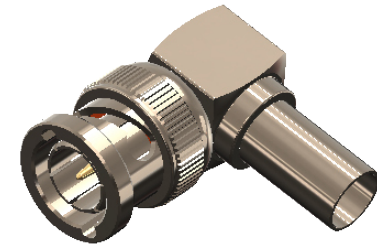


Revisions

Issue	Date	Note
1	20/07/2022	See GTXPDC/546

DATASHEET



1. Mechanical

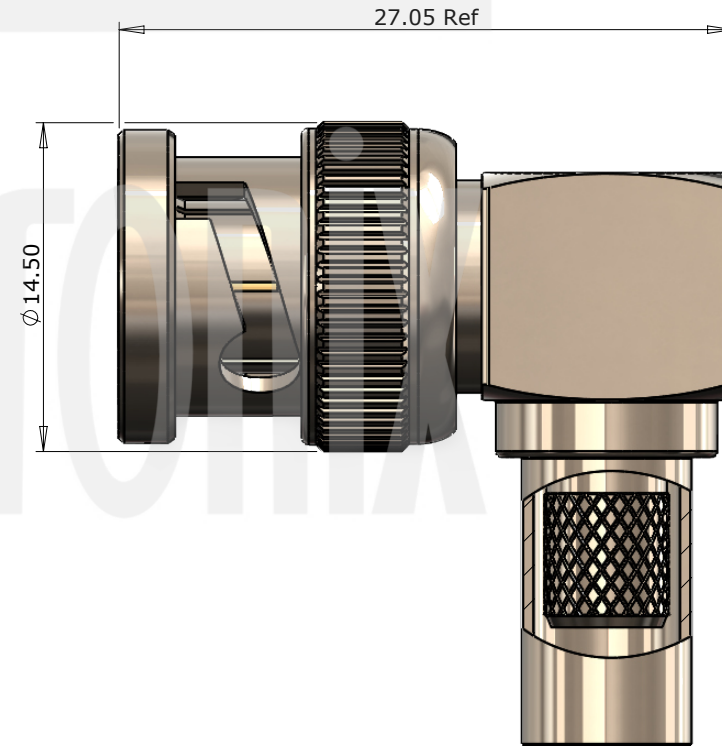
Cable Retention	Equal to breaking strain of cable
Durability	500 mating cycles
Fixing Method	Crimp

2. Environmental

RoHS Compliant	Yes
Temperature Range	-65 to +165 degrees C

3. Electrical

Dielectric Withstanding	1500 Volts RMS Maximum
Impedance	75 ohms
Interface Frequency	12 GHz
Working Voltage	500 Volts RMS Maximum



Description	Material	Finish
6 End Cap	Brass	Nickel
5 Ferrule	Brass	Nickel
4 Dielectric	PTFE	White
3 Coupling Nut	Brass	Nickel
2 Pin	Brass	Gold
1 Body	Brass	Nickel

Unless otherwise specified tolerances
 0.5-5 = ±0.2
 >5-30 = ±0.4
 >30-120 = ±0.6
 >120-315 = ±1.0
 >315-1000 = ±1.6
 Angles = ±5°
 Units = mm

This document is the confidential property of Gigatronix Limited and may not be copied, reproduced or transmitted to any third party without written authorisation.



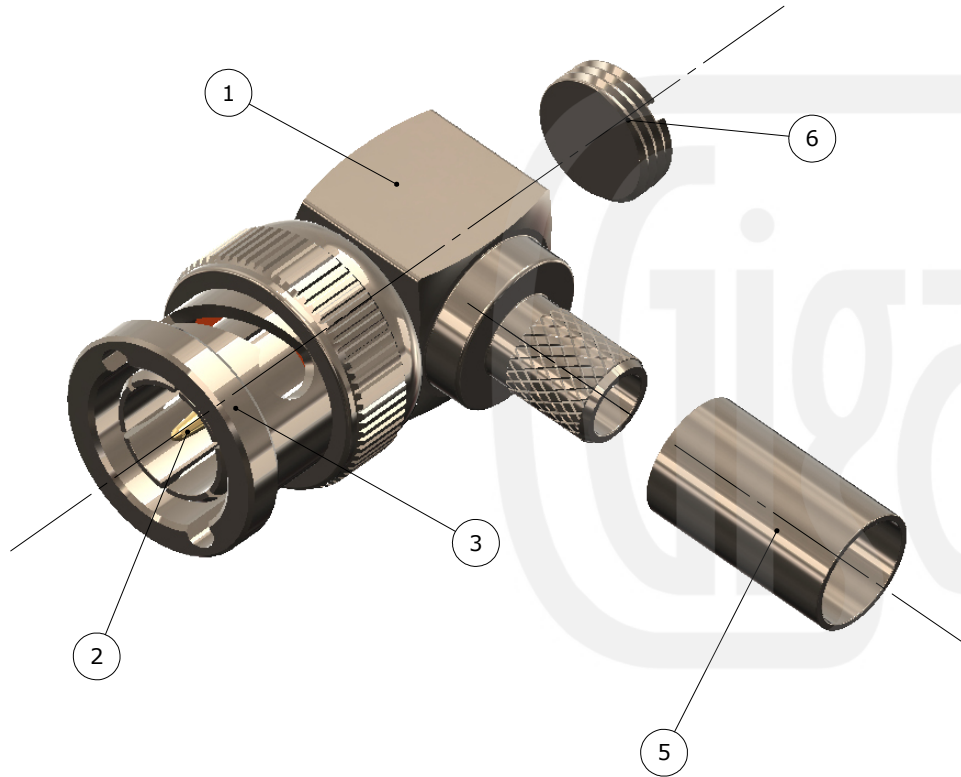
Author	PJP
Drawn by	PJP
Drawing date	20/07/2022
Checked by	DB
Checked date	20/07/2022
Scale	Not to scale

Part Number	BN17-0059-C06
Title:	BNC Crimp Right Angle Plug, Nickel Plated, PTFE Dielectric, RG59, URM70

Revisions

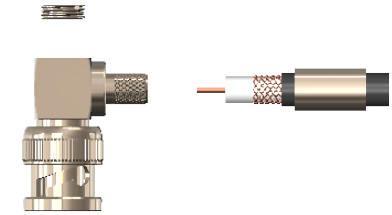
Issue	Date	Note
1	20/07/2022	See GTXPDC/546

ASSEMBLY INSTRUCTIONS



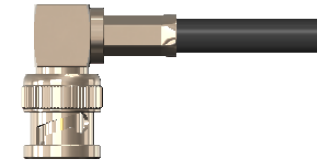
Assembly Instructions:

1) Slide the ferrule onto the cable and strip the cable to the dimensions as shown, taking care not to nick the centre conductor or braid



2) Insert the cable into the body, ensuring that the cable braid is on the outside of the connector mandril and that the centre core locates in the internal mounting post

3) Slide the ferrule forward and crimp. Solder the centre core of the cable to the mounting post and fit the end cap



Crimp Die Sizes:
6.48mm Hex., Solder centre core

Strip Dimensions:
A=8.0mm, B=8.0mm, C=3.0mm



Description	Material	Finish
6 End Cap	Brass	Nickel
5 Ferrule	Brass	Nickel
4 Dielectric	PTFE	White
3 Coupling Nut	Brass	Nickel
2 Pin	Brass	Gold
1 Body	Brass	Nickel

Unless otherwise specified tolerances
 0.5-5 = ±0.2
 >5-30 = ±0.4
 >30-120 = ±0.6
 >120-315 = ±1.0
 >315-1000 = ±1.6
 Angles = ±5°
 Units = mm

This document is the confidential property of Gigatronix Limited and may not be copied, reproduced or transmitted to any third party without written authorisation.



Part Number BN17-0059-C06

Title: BNC Crimp Right Angle Plug, Nickel Plated, PTFE Dielectric, RG59, URM70

Author	PJP
Drawn by	PJP
Drawing date	20/07/2022
Checked by	DB
Checked date	20/07/2022
Scale	Not to scale