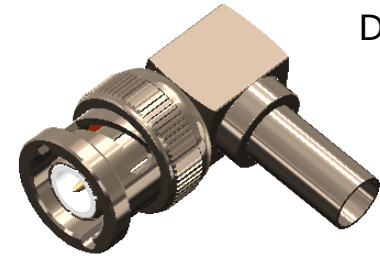


Revisions

Issue	Date	Note
1	18/07/2022	See note GTXPDC/538

DATASHEET



1. Mechanical

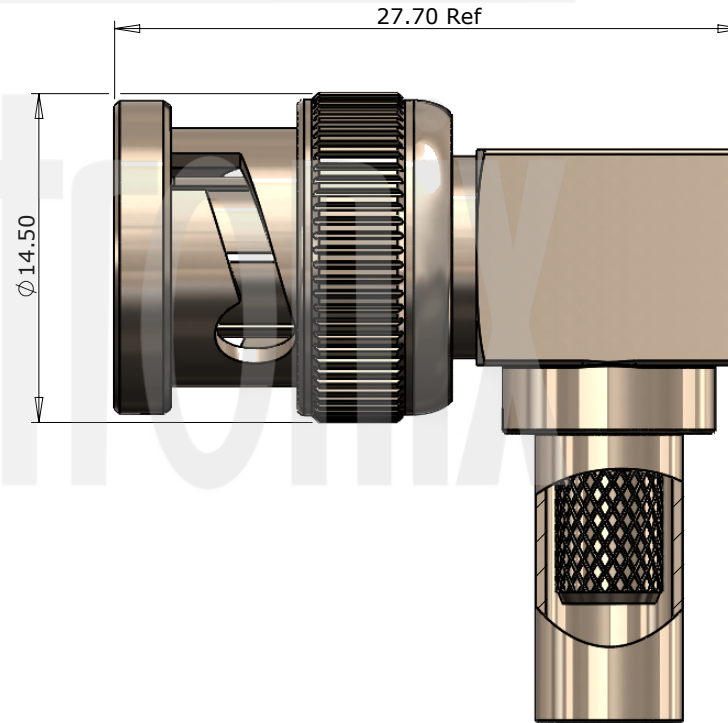
Cable Retention	Equal to breaking strain of cable
Durability	500 mating cycles
Fixing Method	Crimp

2. Environmental

RoHS Compliant	Yes
Temperature Range	-55 to +85 degrees C

3. Electrical

Dielectric Withstanding	1500 Volts RMS Maximum
Impedance	50 ohms
Interface Frequency	4 GHz
Working Voltage	500 Volts RMS Maximum



Description	Material	Finish
7 Insulator	Polypropylene	White
6 End Cap	Brass	Nickel
5 Ferrule	Brass	Nickel
4 Dielectric	PTFE	White
3 Pin	Brass	Gold
2 Coupling Nut	Brass	Nickel
1 Body	Brass	Nickel

Unless otherwise specified tolerances
 0.5-5 = ±0.2
 >5-30 = ±0.4
 >30-120 = ±0.6
 >120-315 = ±1.0
 >315-1000 = ±1.6
 Angles = ±5°
 Units = mm

This document is the confidential property of Gigatronix Limited and may not be copied, reproduced or transmitted to any third party without written authorisation.

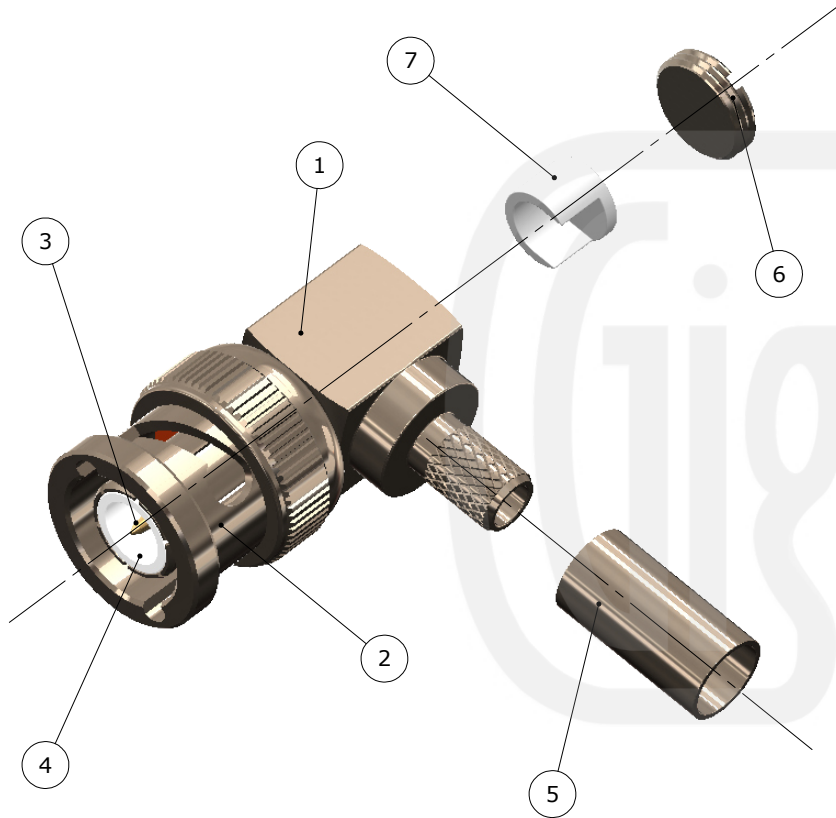


Author	PJP
Drawn by	PJP
Drawing date	18/07/2022
Checked by	DB
Checked date	19/07/2022
Scale	Not to scale

Part Number BN17-0058-C06
Title: BNC Crimp Right Angle Plug, Nickel Plated, PTFE Dielectric, RG58, LBC195

Revisions

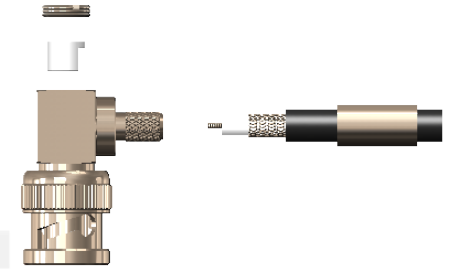
Issue	Date	Note
1	18/07/2022	See note GTXPDC/538



ASSEMBLY INSTRUCTIONS

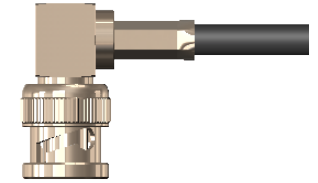
Assembly Instructions:

1) Slide the ferrule onto the cable and strip the cable to the dimensions as shown, taking care not to nick the centre conductor or braid



2) Insert the cable into the body, ensuring that the cable braid is on the outside of the connector mandril and that the centre core locates in the internal mounting post

3) Slide the ferrule forward and crimp. Solder the centre core of the cable to the mounting post and fit the insulator and end cap

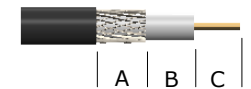


Crimp Die Sizes:

5.41mm Hex., Solder centre core

Strip Dimensions:

A=7.5mm, B=6.0mm, C=3.0mm



7	Insulator	Polypropylene	White
6	End Cap	Brass	Nickel
5	Ferrule	Brass	Nickel
4	Dielectric	PTFE	White
3	Pin	Brass	Gold
2	Coupling Nut	Brass	Nickel
1	Body	Brass	Nickel
	Description	Material	Finish

Unless otherwise specified tolerances
 0.5-5 = ±0.2
 >5-30 = ±0.4
 >30-120 = ±0.6
 >120-315 = ±1.0
 >315-1000 = ±1.6
 Angles = ±5°
 Units = mm

This document is the confidential property of Gigatronix Limited and may not be copied, reproduced or transmitted to any third party without written authorisation.



Part Number BN17-0058-C06

Title: BNC Crimp Right Angle Plug, Nickel Plated, PTFE Dielectric, RG58, LBC195

Author	PJP
Drawn by	PJP
Drawing date	18/07/2022
Checked by	DB
Checked date	19/07/2022
Scale	Not to scale