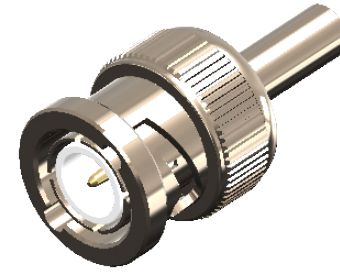


Revisions

Issue	Date	Note
1	11/07/2022	See note GTXPDC/534

DATASHEET



1. Mechanical

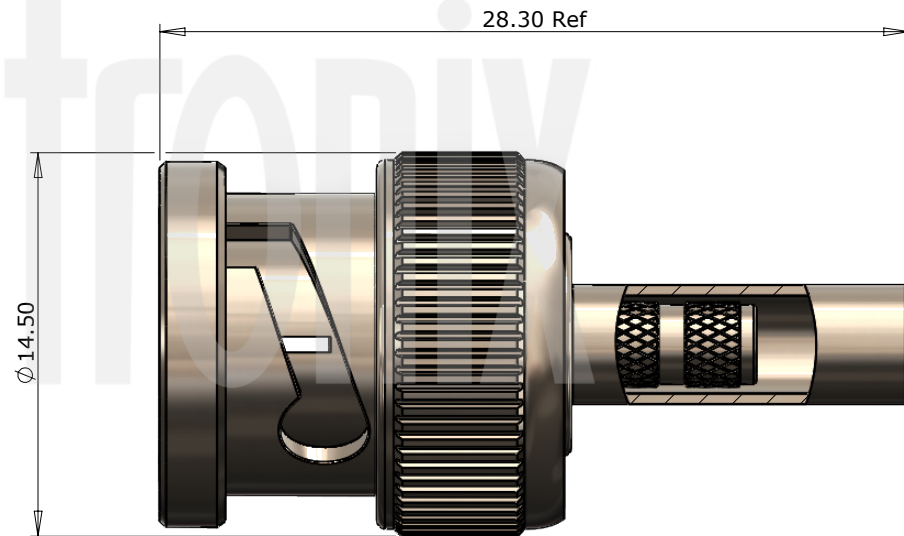
Cable Retention	Equal to breaking strain of cable
Durability	500 mating cycles
Fixing Method	Crimp

2. Environmental

RoHS Compliant	Yes
Temperature Range	-55 to +85 degrees C

3. Electrical

Dielectric Withstanding	1500 Volts RMS Maximum
Impedance	50 ohms
Interface Frequency	4 GHz
Working Voltage	500 Volts RMS Maximum



Description	Material	Finish
5 Ferrule	Brass	Nickel
4 Dielectric	Delrin	White
3 Pin	Brass	Gold
2 Coupling Nut	Zinc Alloy	Nickel
1 Body	Zinc Alloy	Nickel

Unless otherwise specified tolerances
 0.5-5 = ±0.2
 >5-30 = ±0.4
 >30-120 = ±0.6
 >120-315 = ±1.0
 >315-1000 = ±1.6
 Angles = ±5°
 Units = mm

This document is the confidential property of Gigatronix Limited and may not be copied, reproduced or transmitted to any third party without written authorisation.



Author	PJP
Drawn by	PJP
Drawing date	11/07/2022
Checked by	DB
Checked date	11/07/2022
Scale	Not to scale

Part Number	BN15-L100-C06D
Title:	BNC Crimp Plug, Nickel Plated, Zinc Alloy Body, RG174, LBC100, RG316

Revisions		
Issue	Date	Note
1	11/07/2022	See note GTXPDC/534

ASSEMBLY INSTRUCTIONS



Assembly Instructions:

1) Slide the ferrule onto the cable and strip the cable to the dimensions as shown, taking care not to nick the centre conductor or braid



2) Crimp the pin onto the centre core and slide the pin into the body until it captivates, ensuring that the cable braid is on the outside of the connector mandril

3) Slide the ferrule forward and crimp



Crimp Die Sizes:

3.83mm Hex., 1.69mm Hex.

Strip Dimensions:

A=7.8mm, B=2.7mm, C=4.0mm



5	Ferrule	Brass	Nickel
4	Dielectric	Delrin	White
3	Pin	Brass	Gold
2	Coupling Nut	Zinc Alloy	Nickel
1	Body	Zinc Alloy	Nickel
	Description	Material	Finish

Unless otherwise specified tolerances
 0.5-5 = ±0.2
 >5-30 = ±0.4
 >30-120 = ±0.6
 >120-315 = ±1.0
 >315-1000 = ±1.6
 Angles = ±5°
 Units = mm

This document is the confidential property of Gigatronix Limited and may not be copied, reproduced or transmitted to any third party without written authorisation.



Part Number BN15-L100-C06D

BNC Crimp Plug, Nickel Plated, Zinc Alloy Body, RG174, LBC100, RG316

Author	PJP
Drawn by	PJP
Drawing date	11/07/2022
Checked by	DB
Checked date	11/07/2022
Scale	Not to scale